



Input characteristics

| | | | |
|------------------------------------|----------------------------|----|-------------|
| Control voltage | | | 3.5...32VDC |
| Operating voltage limits | | | |
| | Operating voltage pick-up | V | 3.5 |
| | Operating voltage drop-out | V | 2 |
| Input current at min...max voltage | | mA | 10...13 |
| Input reverse voltage | | V | 32 |

Operating times

| | | |
|---------------|--|----------------|
| Switching-on | | Half cycle max |
| Switching-off | | Half cycle max |

Output characteristics

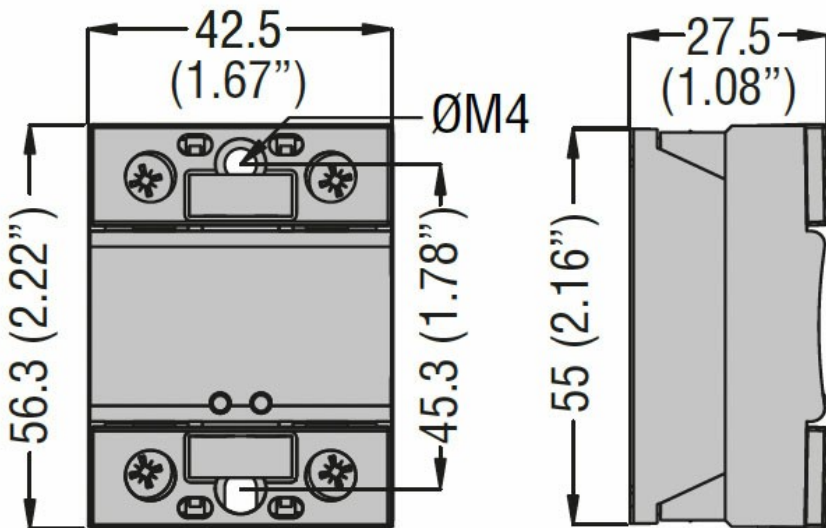
| | | |
|--|------|------------------------------------|
| Static output type | | SCR (silicon controlled rectifier) |
| Switching mode | | Zero crossing |
| Rated operating voltage | VAC | 24...510 |
| Blocking voltage | V | 1200 |
| Operational frequency (min...max) | Hz | 45...65 |
| Rated operating current AC-51 (resistive load) at 40°C | A | 60 |
| Rated operating current AC-51 (resistive load) at 55°C | A | 52 |
| Thermal resistance between junction to case | K/W | 0.4 |
| Heatsink for use at 40°C and 55°C at rated current AC-51 | K/W | ≤0.55 |
| Rated operating current AC-53 (motor load) at 40°C | A | 12 |
| Operational current min | A | 0.05 |
| Non repetitive surge peak on state current t=10ms | A | 750 |
| Off state leakage current | mA | 1 |
| On state output voltage drop | V | 1.45 |
| Critical rate of rise of off-state voltage dv/dt | V/μs | 500 |
| Input - Output isolation | V | 4000 |
| Input - Output to metal base | V | 4000 |
| Output protection type | | VDR |
| I2t | A2s | 2800 |

Terminal characteristics

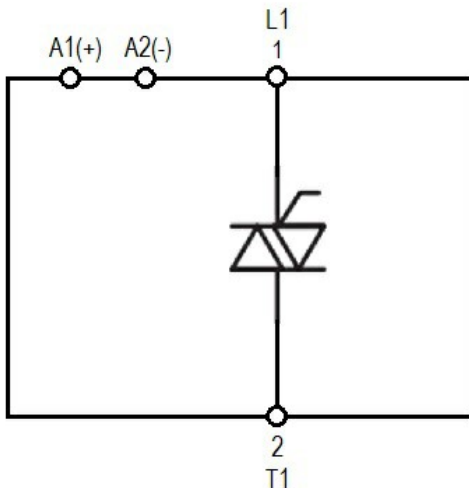
| | | |
|---|----------------------------------|----------------|
| Control terminals | Type | Screw M4 |
| Terminals tool | | PZ2 |
| Tightening torque control terminals | Nm | 1.2...2 |
| | Ibin | 10.6...17.7 |
| Conductor section connectable (control terminals) with 1 or 2 wires min...max | | |
| | AWG stranded | n° 18...14 |
| | Flexible w/o lug | mm2 0.75...2.5 |
| | Flexible c/w insulated spade lug | mm2 0.75...2.5 |
| Load terminals | Type | Screw M5 |
| Load terminals tool | | PZ2 |
| Tightening torque load terminals | | |

| | | |
|--|----------------------------------|-------------|
| | Nm | 2...3 |
| | lbin | 20.4 |
| Conductor section connectable (load terminals) with 1 or 2 wires min...max | | |
| | AWG stranded | n° 16...10 |
| | Flexible w/o lug | mm2 1.5...6 |
| | Flexible c/w insulated spade lug | mm2 1.5...6 |
| Operating position | | |
| | allowable | Any |
| Fixing | | |
| | | Screw |
| Ambient conditions | | |
| Temperature | | |
| Operating temperature | | |
| | min °C | -55 |
| | max °C | +90 |
| Storage temperature | | |
| | min °C | -55 |
| | max °C | +125 |

Dimensions



Wiring diagrams



Certifications and compliance

Certifications

IEC/EN/BS 60335-1
IEC/EN/BS 60947-4-2
IEC/EN/BS 60947-4-3
IEC/EN/BS 62314

Compliance

CSA
cURus
VDE

ETIM classification

EC000066 - Power contactor, AC switching