



Input characteristics

Control voltage		20...265VAC/DC
Operating voltage limits		
	Operating voltage pick-up	V 20VAC-18VDC
	Operating voltage drop-out	V 5
Input current at min...max voltage	mA	5...10

Operating times

Switching-on	Half cycle max
Switching-off	Half cycle max

Output characteristics

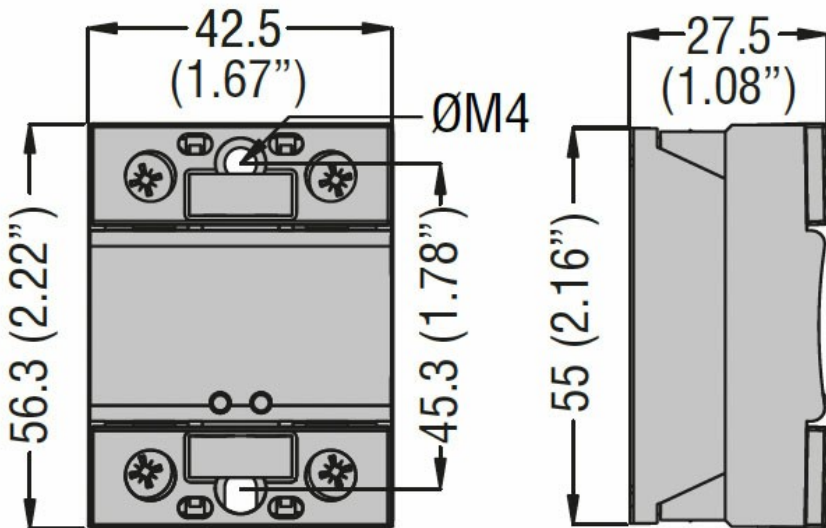
Static output type		SCR (silicon controlled rectifier)
Switching mode		Zero crossing
Rated operating voltage	VAC	24...510
Blocking voltage	V	1200
Operational frequency (min...max)	Hz	45...65
Rated operating current AC-51 (resistive load) at 40°C	A	60
Rated operating current AC-51 (resistive load) at 55°C	A	52
Thermal resistance between junction to case	K/W	0.4
Heatsink for use at 40°C and 55°C at rated current AC-51	K/W	≤0.55
Rated operating current AC-53 (motor load) at 40°C	A	12
Operational current min	A	0.05
Non repetitive surge peak on state current t=10ms	A	750
Off state leakage current	mA	1
On state output voltage drop	V	1.45
Critical rate of rise of off-state voltage dv/dt	V/μs	500
Input - Output isolation	V	4000
Input - Output to metal base	V	4000
Output protection type		VDR
I ² t	A ² s	2800

Terminal characteristics

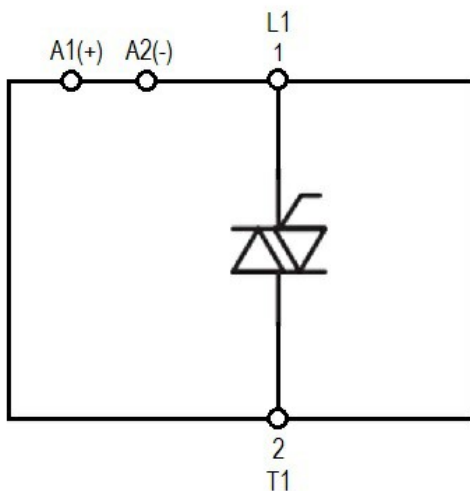
Control terminals	Type	Screw M4
Terminals tool		PZ2
Tightening torque control terminals	Nm	1.2...2
	Ibin	10.6...17.7
Conductor section connectable (control terminals) with 1 or 2 wires min...max		
	AWG stranded	n° 18...14
	Flexible w/o lug	mm2 0.75...2.5
	Flexible c/w insulated spade lug	mm2 0.75...2.5
Load terminals	Type	Screw M5
Load terminals tool		PZ2
Tightening torque load terminals	Nm	2...3

		lbin	20.4
Conductor section connectable (load terminals) with 1 or 2 wires min...max			
	AWG stranded	n°	16...10
	Flexible w/o lug	mm2	1.5...6
	Flexible c/w insulated spade lug	mm2	1.5...6
Operating position		allowable	Any
Fixing			Screw
Ambient conditions			
Temperature			
	Operating temperature		
		min	°C -55
		max	°C +90
	Storage temperature		
		min	°C -55
		max	°C +125

Dimensions



Wiring diagrams



Certifications and compliance

Certifications

IEC/EN/BS 60335-1

IEC/EN/BS 60947-4-2

IEC/EN/BS 60947-4-3

IEC/EN/BS 62314

Compliance

CSA

cURus

VDE

ETIM classification

EC000066 - Power contactor, AC switching