



### Input characteristics

Control voltage			3.5...32VDC
Operating voltage limits			
	Operating voltage pick-up	V	3.5
	Operating voltage drop-out	V	2
Input current at min...max voltage		mA	10...13
Input reverse voltage		V	32

### Operating times

Switching-on		Half cycle max
Switching-off		Half cycle max

### Output characteristics

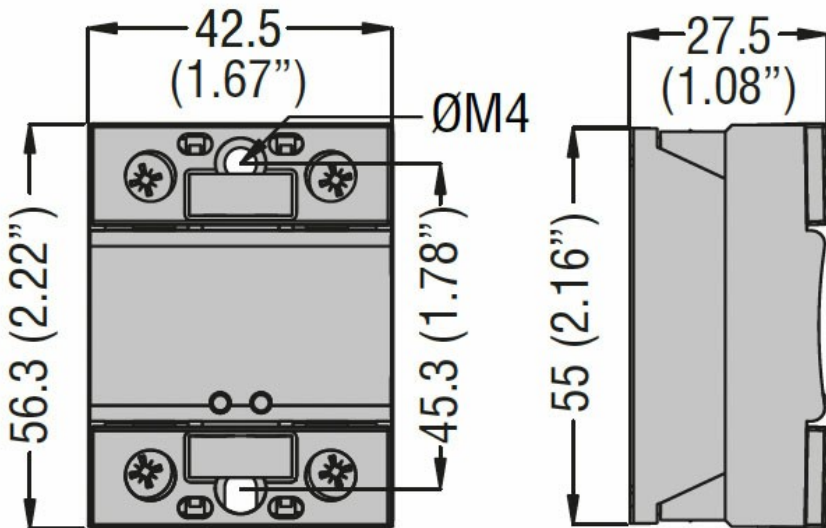
Static output type		SCR (silicon controlled rectifier)
Switching mode		Zero crossing
Rated operating voltage	VAC	24...600
Blocking voltage	V	1200
Operational frequency (min...max)	Hz	45...65
Rated operating current AC-51 (resistive load) at 40°C	A	40
Rated operating current AC-51 (resistive load) at 55°C	A	35
Thermal resistance between junction to case	K/W	0.55
Heatsink for use at 40°C and 55°C at rated current AC-51	K/W	≤0.9
Operational current min	A	0.05
Non repetitive surge peak on state current t=10ms	A	500
Off state leakage current	mA	1
On state output voltage drop	V	1.5
Critical rate of rise of off-state voltage dv/dt	V/μs	500
Input - Output isolation	V	4000
Input - Output to metal base	V	4000
Output protection type		TVS
I <sup>2</sup> t	A <sup>2</sup> s	1250

### Terminal characteristics

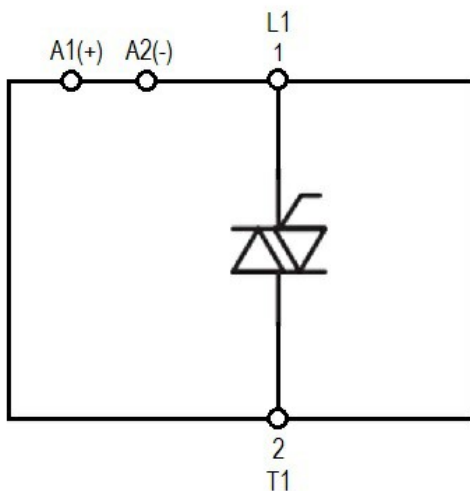
Control terminals	Type	Screw M4
Terminals tool		PZ2
Tightening torque control terminals	Nm	1.2...2
	Ibin	10.6...17.7
Conductor section connectable (control terminals) with 1 or 2 wires min...max		
	AWG stranded	n° 18...14
	Flexible w/o lug	mm <sup>2</sup> 0.75...2.5
	Flexible c/w insulated spade lug	mm <sup>2</sup> 0.75...2.5
Load terminals	Type	Screw M5
Load terminals tool		PZ2
Tightening torque load terminals	Nm	2...3

		lbin	20.4
Conductor section connectable (load terminals) with 1 or 2 wires min...max			
	AWG stranded	n°	16...10
	Flexible w/o lug	mm2	1.5...6
	Flexible c/w insulated spade lug	mm2	1.5...6
Operating position		allowable	Any
Fixing			Screw
<b>Ambient conditions</b>			
Temperature			
	Operating temperature		
		min	°C -40
		max	°C +90
	Storage temperature		
		min	°C -40
		max	°C +100

**Dimensions**



**Wiring diagrams**



**Certifications and compliance**

**Certifications**

IEC/EN/BS 60335-1

---

IEC/EN/BS 60947-4-2

---

IEC/EN/BS 60947-4-3

---

IEC/EN/BS 62314

---

Compliance

---

CSA

---

cURus

---

VDE

**ETIM classification**

EC000066 - Power contactor, AC switching