



Input characteristics

Control voltage	18...280VAC/DC		
Operating voltage limits			
	Operating voltage pick-up	V	18
	Operating voltage drop-out	V	8
Input current at min...max voltage	mA	4.5...6	

Operating times

Switching-on	Half cycle max
Switching-off	Half cycle max

Output characteristics

Static output type	SCR (silicon controlled rectifier)	
Switching mode	Zero crossing	
Rated operating voltage	VAC	24...600
Blocking voltage	V	12300
Operational frequency (min...max)	Hz	45...65
Rated operating current AC-51 (resistive load) at 40°C	A	90
Rated operating current AC-51 (resistive load) at 55°C	A	80
Thermal resistance between junction to case	K/W	0.4
Heatsink for use at 40°C and 55°C at rated current AC-51	K/W	≤0.3
Operational current min	A	0.05
Non repetitive surge peak on state current t=10ms	A	1200
Off state leakage current	mA	1
On state output voltage drop	V	1.4
Critical rate of rise of off-state voltage dv/dt	V/μs	500
Input - Output isolation	V	4000
Input - Output to metal base	V	4000
Output protection type	TVS	
I2t	A2s	7200

Terminal characteristics

Control terminals	Type	Screw M4	
Terminals tool	PZ2		
Tightening torque control terminals	Nm	1.2...2	
	lbin	10.6...17.7	
Conductor section connectable (control terminals) with 1 or 2 wires min...max			
	AWG stranded	n°	18...14
	Flexible w/o lug	mm2	0.75...2.5
	Flexible c/w insulated spade lug	mm2	0.75...2.5
Load terminals	Type	Screw M5	
Load terminals tool	PZ2		
Tightening torque load terminals	Nm	2...3	
	lbin	20.4	

Conductor section connectable (load terminals) with 1 or 2 wires min...max

AWG stranded	n°	16...10
Flexible w/o lug	mm2	1.5...6
Flexible c/w insulated spade lug	mm2	1.5...6

Operating position

allowable Any

Fixing

Screw

Ambient conditions

Temperature

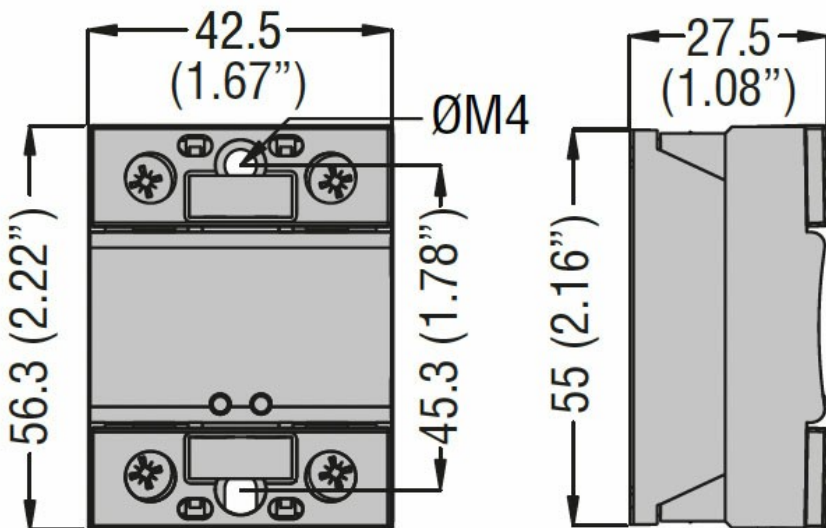
Operating temperature

min	°C	-55
max	°C	+90

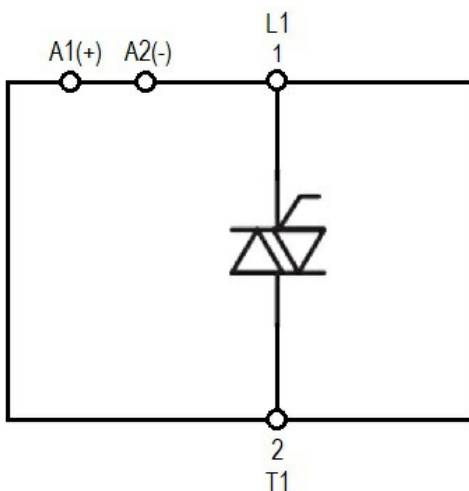
Storage temperature

min	°C	-55
max	°C	+125

Dimensions



Wiring diagrams



Certifications and compliance

Certifications

IEC/EN/BS 60335-1
IEC/EN/BS 60947-4-2

IEC/EN/BS 60947-4-3

IEC/EN/BS 62314

Compliance

cURus

VDE

ETIM classification

EC000066 - Power contactor, AC switching