



Input characteristics			
Control voltage			3...32VDC
Operating voltage limits			
	Operating voltage pick-up	V	3
	Operating voltage drop-out	V	2
Input current at min...max voltage		mA	10...13
Input reverse voltage		V	32
Operating times			
Switching-on			Half cycle max
Switching-off			Half cycle max
Output characteristics			
Static output type			SCR (silicon controlled rectifier)
Switching mode			Zero crossing
Rated operating voltage		VAC	12...280
Blocking voltage		V	600
Operational frequency (min...max)		Hz	45...65
Rated operating current AC-51 (resistive load) at 40°C		A	25
Rated operating current AC-51 (resistive load) at 55°C		A	21
Thermal resistance between junction to case		K/W	1.1
Heatsink for use at 40°C and 55°C at rated current AC-51		K/W	≤0.3
Operational current min		A	0.05
Non repetitive surge peak on state current t=10ms		A	250
Off state leakage current		mA	1
On state output voltage drop		V	1.6
Critical rate of rise of off-state voltage dv/dt		V/μs	500
Input - Output isolation		V	4000
Input - Output to metal base		V	2500
I ² t		A ² s	340
Terminal characteristics			
Control terminals		Type	Faston 4.8x0.8
Conductor section connectable (control terminals) with 1 or 2 wires min...max			
	AWG stranded	n°	16...14 (Faston lug)
	Flexible c/w insulated spade lug	mm ²	0.75...6 (Faston lug)
Load terminals		Type	Faston 6.3x0.8
Conductor section connectable (load terminals) with 1 or 2 wires min...max			
	AWG stranded	n°	16...10 (Faston lug)
	Flexible c/w insulated spade lug	mm ²	0.75...6 (Faston lug)
Operating position		allowable	Any

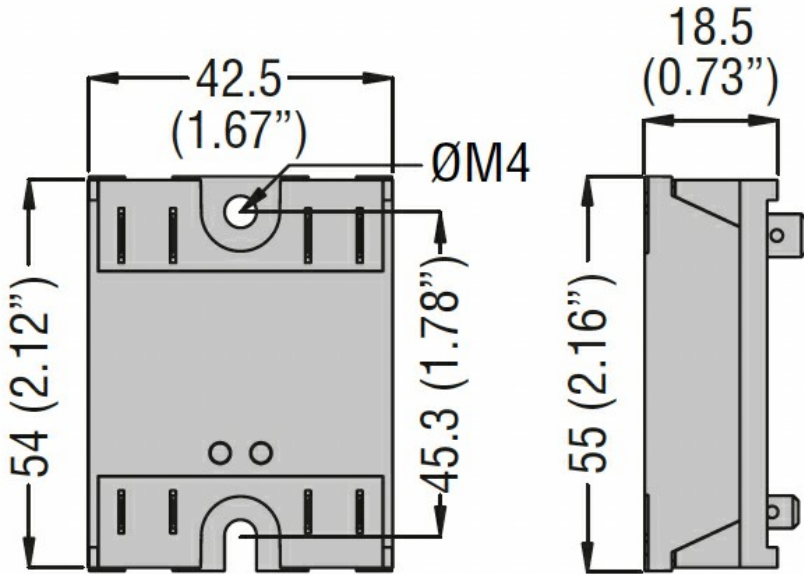
Fixing Screw

Ambient conditions

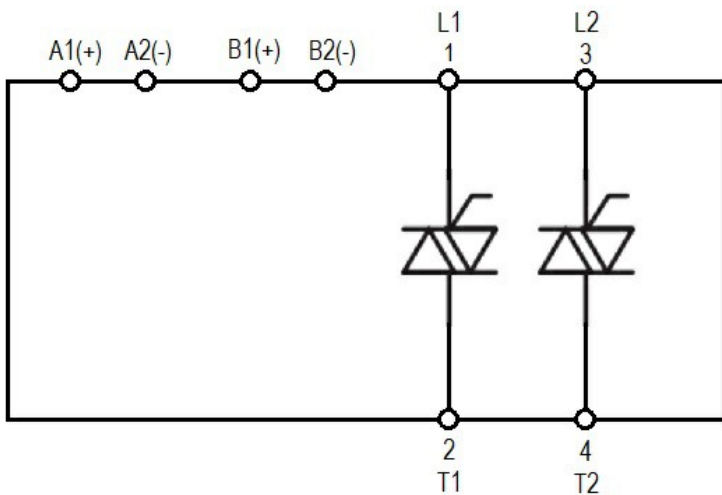
Temperature	Operating temperature	min	°C	-40
		max	°C	+90

Storage temperature	min	°C	-40
	max	°C	+100

Dimensions



Wiring diagrams



Certifications and compliance

Certifications	IEC/EN/BS 60335-1
	IEC/EN/BS 60947-4-2
	IEC/EN/BS 60947-4-3
	IEC/EN/BS 62314

Compliance	CSA
	cURus

VDE

ETIM classification

EC000066 - Power contactor, AC switching