



Input characteristics

Control voltage			10...30VDC
Operating voltage limits			
	Operating voltage pick-up	V	10
	Operating voltage drop-out	V	2
Input current at min...max voltage		mA	6...24
Input reverse voltage		V	32

Operating times

Switching-on			Half cycle max
Switching-off			Half cycle max

Output characteristics

Static output type			SCR (silicon controlled rectifier)
Switching mode			Zero crossing
Rated operating voltage		VAC	24...600
Blocking voltage		V	1200
Operational frequency (min...max)		Hz	45...65
Rated operating current AC-51 (resistive load) at 40°C		A	50
Rated operating current AC-51 (resistive load) at 55°C		A	37
Thermal resistance between junction to case		K/W	0.4
Heatsink for use at 40°C and 55°C at rated current AC-51		K/W	≤0.3
Operational current min		A	0.05
Non repetitive surge peak on state current t=10ms		A	750
Off state leakage current		mA	1
On state output voltage drop		V	1.3
Critical rate of rise of off-state voltage dv/dt		V/μs	500
Input - Output isolation		V	4000
Input - Output to metal base		V	4000
I2t		A2s	2800

Terminal characteristics

Control terminals	Type		Screw
Terminals tool			Blade 3.5mm
Tightening torque control terminals			
	Nm		0.5Nm
	Ibin		4.5
Conductor section connectable (control terminals) with 1 or 2 wires min...max			
	AWG stranded	n°	28...12
	Flexible w/o lug	mm2	0.75...2.5
	Flexible c/w insulated spade lug	mm2	0.75...2.5
Load terminals	Type		Screw M5
Load terminals tool			PZ2
Tightening torque load terminals			
	Nm		2...3
	Ibin		20.4

Conductor section connectable (load terminals) with 1 or 2 wires min...max

AWG stranded	n°	16...10
Flexible w/o lug	mm2	1.5...6
Flexible c/w insulated spade lug	mm2	1.5...6

Operating position

allowable Any

Fixing

Screw

Ambient conditions

Temperature

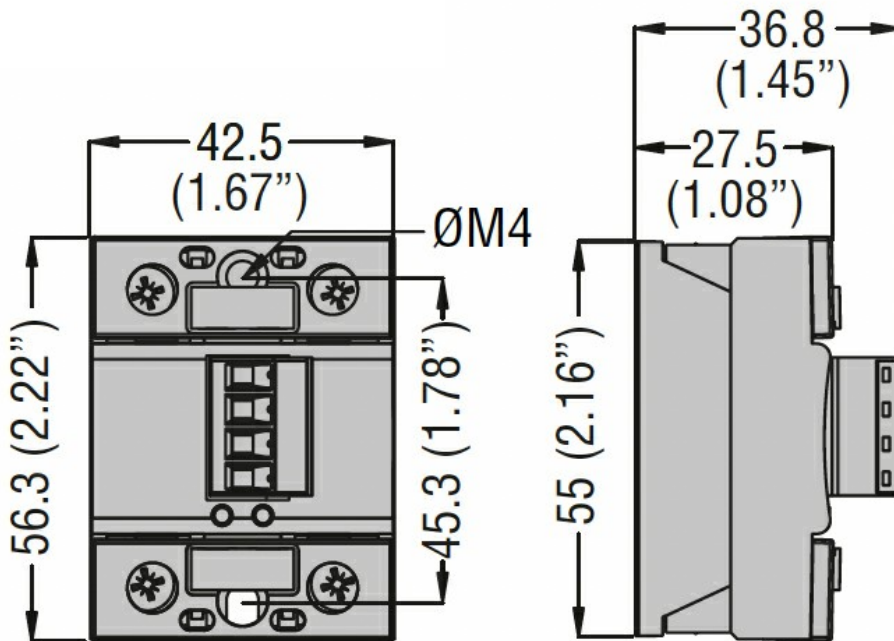
Operating temperature

min	°C	-55
max	°C	+90

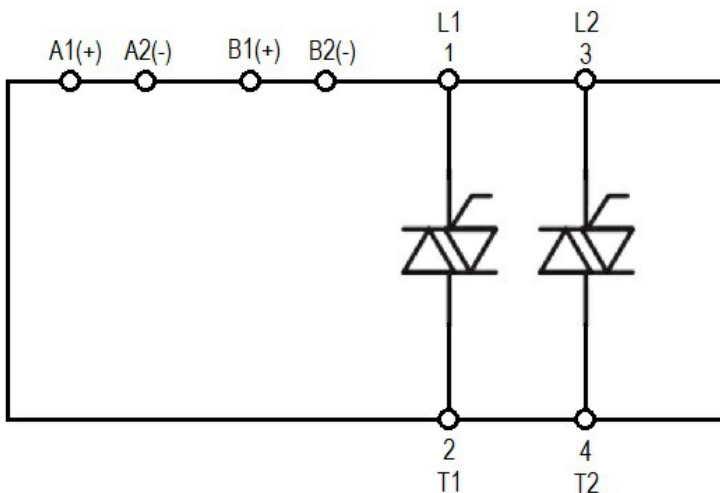
Storage temperature

min	°C	-55
max	°C	+125

Dimensions



Wiring diagrams



Certifications and compliance

Certifications

IEC/EN/BS 60335-1
IEC/EN/BS 60947-4-2
IEC/EN/BS 60947-4-3
IEC/EN/BS 62314

Compliance

CSA
cURus
VDE

ETIM classification

EC000066 - Power contactor, AC switching