



Input characteristics

| | | | |
|------------------------------------|----------------------------|---------|---|
| Control voltage | 4...32VDC | | |
| Operating voltage limits | | | |
| | Operating voltage pick-up | V | 4 |
| | Operating voltage drop-out | V | 2 |
| Input current at min...max voltage | mA | 13...21 | |

Operating times

| | | | |
|---------------|----------------|--|--|
| Switching-on | Half cycle max | | |
| Switching-off | Half cycle max | | |

Output characteristics

| | | | |
|--|------------------------------------|----------|--|
| Static output type | SCR (silicon controlled rectifier) | | |
| Switching mode | Zero crossing | | |
| Rated operating voltage | VAC | 48...600 | |
| Blocking voltage | V | 1200 | |
| Operational frequency (min...max) | Hz | 45...65 | |
| Rated operating current AC-51 (resistive load) at 40°C | A | 15 | |
| Rated operating current AC-51 (resistive load) at 55°C | A | 12 | |
| Rated operating current AC-53 (motor load) at 40°C | A | 7 | |
| Operational current min | A | 0.16 | |
| Non repetitive surge peak on state current t=10ms | A | 530 | |
| Off state leakage current | mA | 1 | |
| On state output voltage drop | V | 1.2 | |
| Critical rate of rise of off-state voltage dv/dt | V/μs | 1000 | |
| Input - Output isolation | V | 5000 | |
| Input - Output to metal base | V | 5000 | |
| Output protection type | VDR | | |
| I ² t | A2s | 1404 | |

Terminal characteristics

| | | | |
|---|----------------------------------|-----------------|------------|
| Control terminals | Type | Screw | |
| Terminals tool | Blade 3.5mm | | |
| Tightening torque control terminals | Nm | 0.5Nm | |
| | Ibin | 4.5 | |
| Conductor section connectable (control terminals) with 1 or 2 wires min...max | | | |
| | AWG stranded | n° | 28...12 |
| | Flexible w/o lug | mm ² | 0.75...2.5 |
| | Flexible c/w insulated spade lug | mm ² | 0.75...2.5 |
| Load terminals | Type | Screw | |
| Load terminals tool | PH2 | | |
| Tightening torque load terminals | Nm | 1.5 | |
| | Ibin | 13.3 | |
| Conductor section connectable (load terminals) with 1 or 2 wires min...max | | | |

| | | |
|----------------------------------|-----|---------|
| AWG stranded | n° | 18...10 |
| Flexible w/o lug | mm2 | 1...6 |
| Flexible c/w insulated spade lug | mm2 | 1...16 |

Operating position

allowable

On vertical plane

Fixing

Screw or on
35mm DIN rail

Ambient conditions

Temperature

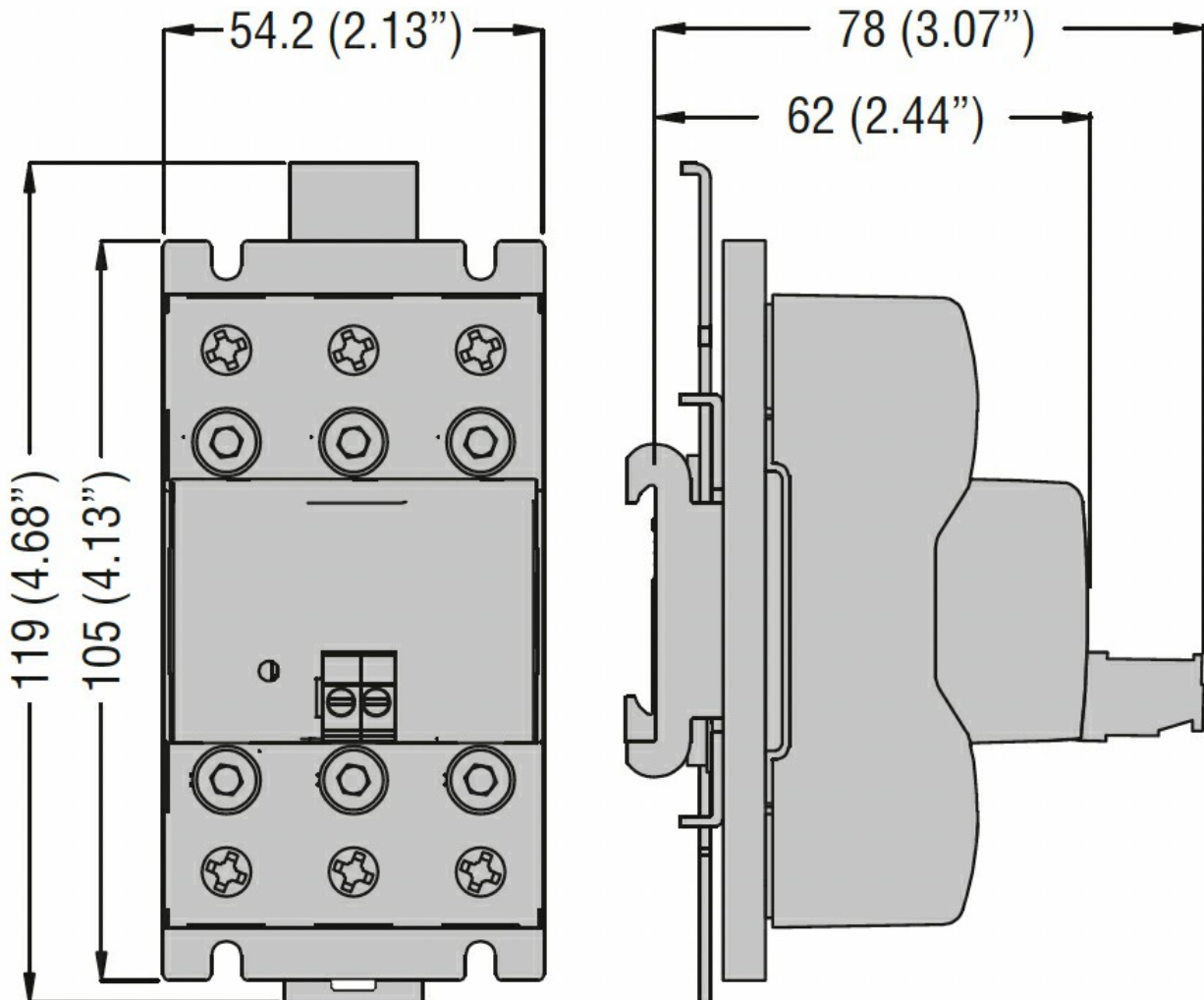
Operating temperature

| | | |
|-----|----|-----|
| min | °C | -40 |
| max | °C | +80 |

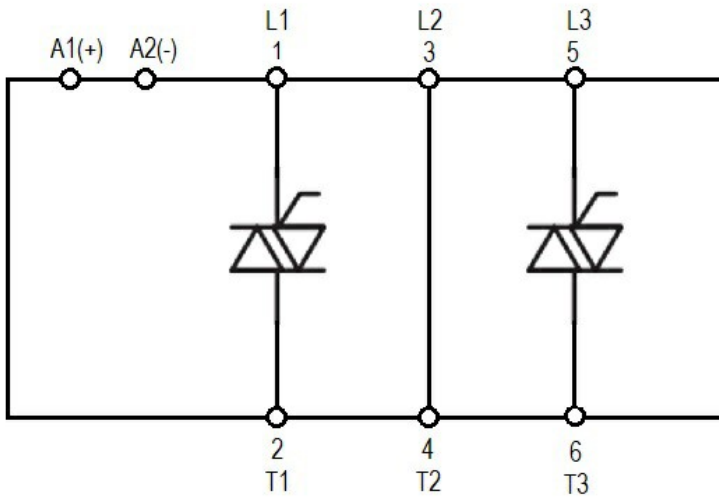
Storage temperature

| | | |
|-----|----|------|
| min | °C | -40 |
| max | °C | +130 |

Dimensions



Wiring diagrams



Certifications and compliance

Certifications

IEC/EN/BS 60335-1

IEC/EN/BS 60947-4-2

IEC/EN/BS 60947-4-3

IEC/EN/BS 62314

Compliance

cULus

ETIM classification

EC000066 - Power contactor, AC switching