



Input characteristics			
Control voltage			4...32VDC
Operating voltage limits			
	Operating voltage pick-up	V	4
	Operating voltage drop-out	V	2
Input current at min...max voltage		mA	13...21
Operating times			
Switching-on			Half cycle max
Switching-off			Half cycle max
Output characteristics			
Static output type			SCR (silicon controlled rectifier)
Switching mode			Zero crossing
Rated operating voltage	VAC		48...600
Blocking voltage	V		1200
Operational frequency (min...max)	Hz		45...65
Rated operating current AC-51 (resistive load) at 40°C	A		30
Rated operating current AC-51 (resistive load) at 55°C	A		25
Rated operating current AC-53 (motor load) at 40°C	A		13.5
Operational current min	A		0.16
Non repetitive surge peak on state current t=10ms	A		530
Off state leakage current	mA		1
On state output voltage drop	V		1.2
Critical rate of rise of off-state voltage dv/dt	V/μs		1000
Input - Output isolation	V		5000
Input - Output to metal base	V		5000
Output protection type			VDR
I <sup>2</sup> t	A <sup>2</sup> s		1404
Terminal characteristics			
Control terminals	Type		Screw
Terminals tool			Blade 3.5mm
Tightening torque control terminals			
	Nm		0.5Nm
	Ibin		4.5
Conductor section connectable (control terminals) with 1 or 2 wires min...max			
	AWG stranded	n°	28...12
	Flexible w/o lug	mm <sup>2</sup>	0.75...2.5
	Flexible c/w insulated spade lug	mm <sup>2</sup>	0.75...2.5
Load terminals	Type		Screw
Load terminals tool			PH2
Tightening torque load terminals			
	Nm		1.5
	Ibin		13.3
Conductor section connectable (load terminals) with 1 or 2 wires min...max			

AWG stranded	n°	18...10
Flexible w/o lug	mm2	1...6
Flexible c/w insulated spade lug	mm2	1...16

Operating position

allowable

On vertical plane

Fixing

Screw or on  
35mm DIN rail

**Ambient conditions**

Temperature

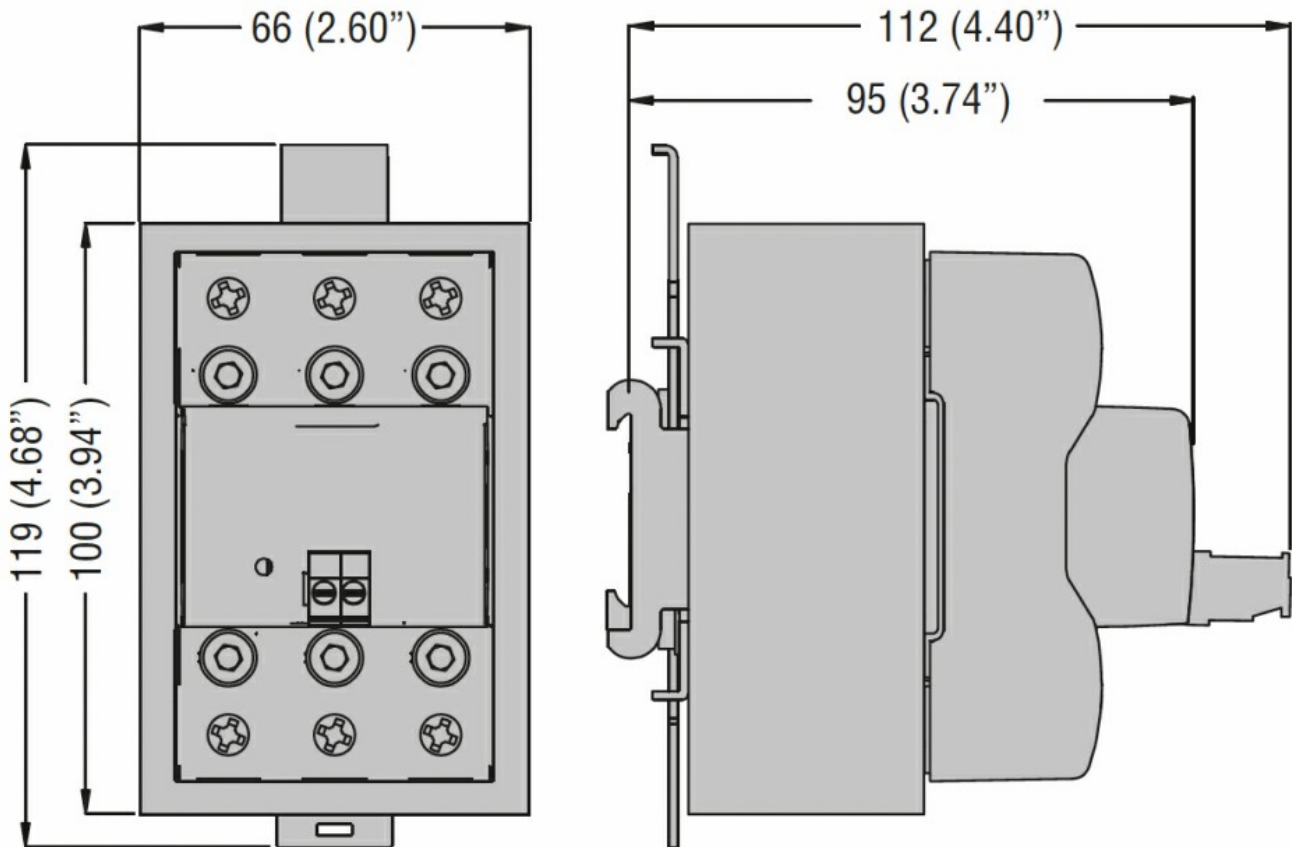
Operating temperature

min	°C	-40
max	°C	+80

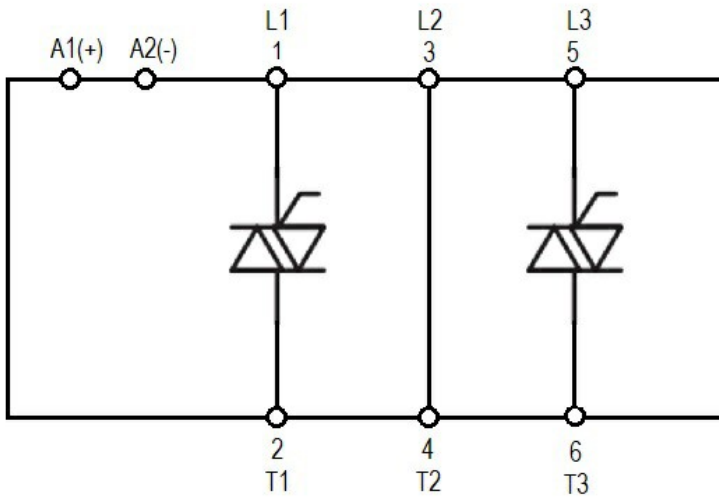
Storage temperature

min	°C	-40
max	°C	+130

**Dimensions**



**Wiring diagrams**



**Certifications and compliance**

Certifications

IEC/EN/BS 60335-1  
IEC/EN/BS 60947-4-2  
IEC/EN/BS 60947-4-3  
IEC/EN/BS 62314

Compliance

cULus

**ETIM classification**

EC000066 - Power contactor, AC switching