



### Input characteristics

Control voltage	4...32VDC		
Operating voltage limits			
	Operating voltage pick-up	V	4
	Operating voltage drop-out	V	2
Input current at min...max voltage	mA	17...27	

### Operating times

Switching-on	Half cycle max		
Switching-off	Half cycle max		

### Output characteristics

Static output type	SCR (silicon controlled rectifier)		
Switching mode	Zero crossing		
Rated operating voltage	VAC	48...600	
Blocking voltage	V	1200	
Operational frequency (min...max)	Hz	45...65	
Rated operating current AC-51 (resistive load) at 40°C	A	20	
Rated operating current AC-51 (resistive load) at 55°C	A	17	
Rated operating current AC-53 (motor load) at 40°C	A	12.5	
Non repetitive surge peak on state current t=10ms	A	530	
Off state leakage current	mA	1	
On state output voltage drop	V	1.2	
Critical rate of rise of off-state voltage dv/dt	V/μs	1000	
Input - Output isolation	V	5000	
Input - Output to metal base	V	5000	
Output protection type	VDR		
I2t	A2s	1404	

### Terminal characteristics

Control terminals	Type	Screw	
Terminals tool	Blade 3.5mm		
Tightening torque control terminals	Nm	0.5Nm	
	Ibin	4.5	
Conductor section connectable (control terminals) with 1 or 2 wires min...max			
	AWG stranded	n°	28...12
	Flexible w/o lug	mm2	0.75...2.5
	Flexible c/w insulated spade lug	mm2	0.75...2.5
Load terminals	Type	Screw	
Load terminals tool	PH2		
Tightening torque load terminals	Nm	1.5	
	Ibin	13.3	
Conductor section connectable (load terminals) with 1 or 2 wires min...max			
	AWG stranded	n°	18...10

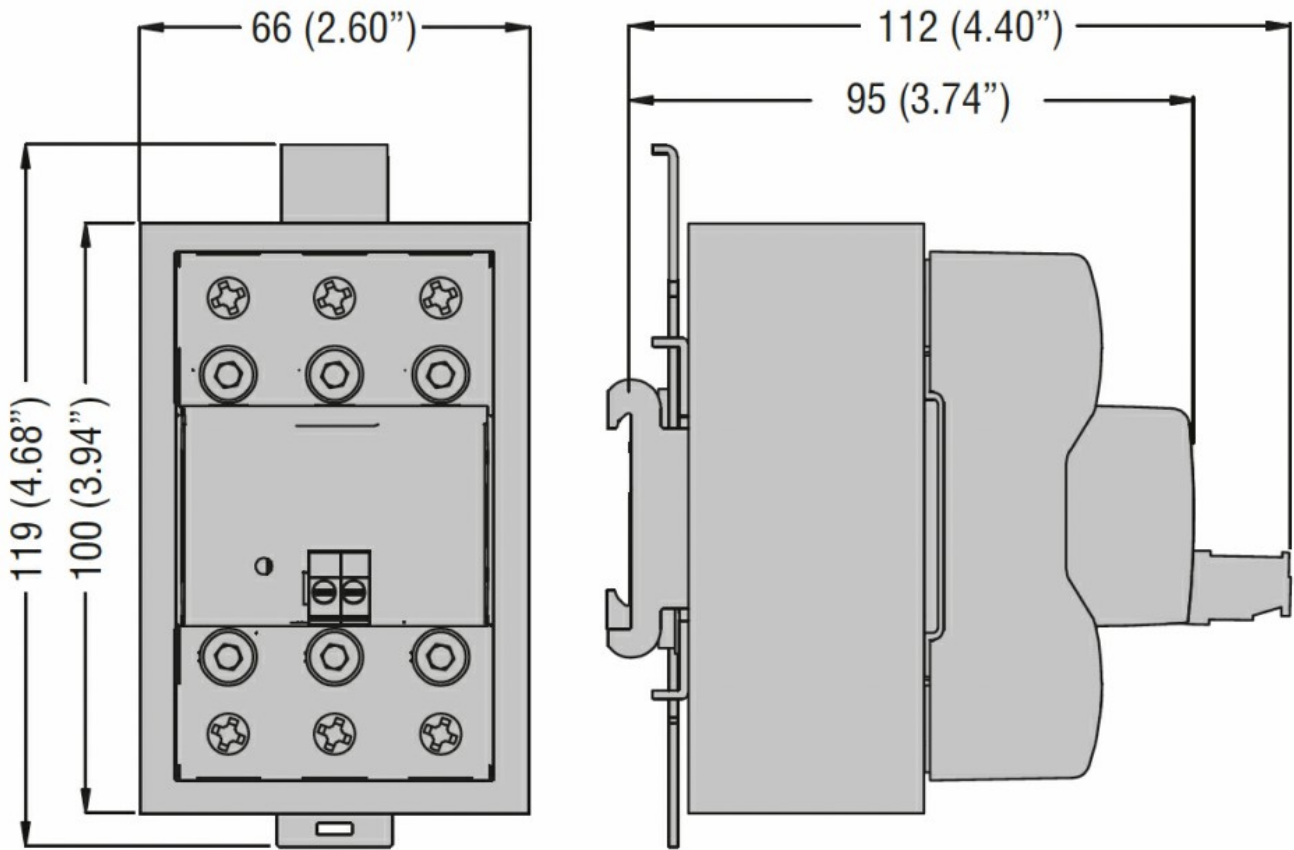
Flexible w/o lug	mm <sup>2</sup>	1...6
Flexible c/w insulated spade lug	mm <sup>2</sup>	1...16

Operating position	allowable	On vertical plane
Fixing		Screw or on 35mm DIN rail

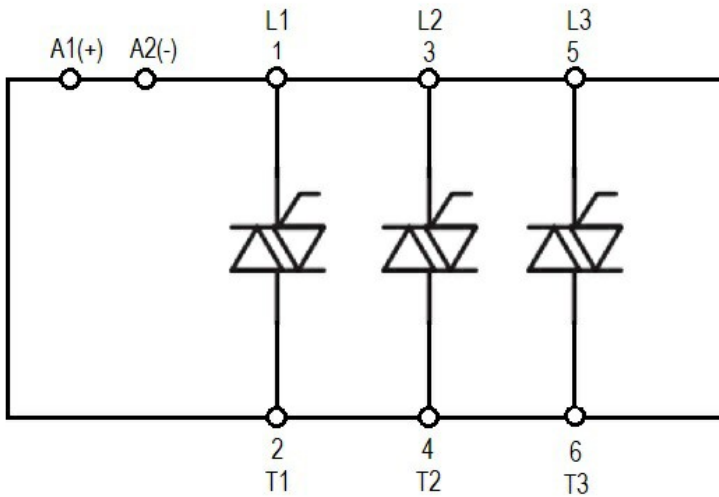
**Ambient conditions**

Temperature	Operating temperature	min	°C	-40
		max	°C	+80
	Storage temperature	min	°C	-40
		max	°C	+130

**Dimensions**



**Wiring diagrams**



### Certifications and compliance

#### Certifications

IEC/EN/BS 60335-1  
IEC/EN/BS 60947-4-2  
IEC/EN/BS 60947-4-3  
IEC/EN/BS 62314

#### Compliance

cULus

### ETIM classification

EC000066 - Power contactor, AC switching