



Input characteristics

Control voltage	90...280VAC		
Operating voltage limits			
	Operating voltage pick-up	V	90
	Operating voltage drop-out	V	20
Input current at min...max voltage	mA	23...50	

Operating times

Switching-on	Half cycle max		
Switching-off	Half cycle max		

Output characteristics

Static output type	SCR (silicon controlled rectifier)		
Switching mode	Zero crossing		
Rated operating voltage	VAC	48...600	
Blocking voltage	V	1200	
Operational frequency (min...max)	Hz	45...65	
Rated operating current AC-51 (resistive load) at 40°C	A	40	
Rated operating current AC-51 (resistive load) at 55°C	A	32	
Rated operating current AC-53 (motor load) at 40°C	A	15	
Non repetitive surge peak on state current t=10ms	A	530	
Off state leakage current	mA	1	
On state output voltage drop	V	1.2	
Critical rate of rise of off-state voltage dv/dt	V/μs	1000	
Input - Output isolation	V	5000	
Input - Output to metal base	V	5000	
Output protection type	VDR		
I2t	A2s	1404	

Terminal characteristics

Control terminals	Type	Screw	
Terminals tool	Blade 3.5mm		
Tightening torque control terminals	Nm	0.5Nm	
	Ibin	4.5	
Conductor section connectable (control terminals) with 1 or 2 wires min...max			
	AWG stranded	n°	28...12
	Flexible w/o lug	mm2	0.75...2.5
	Flexible c/w insulated spade lug	mm2	0.75...2.5
Load terminals	Type	Screw	
Load terminals tool	PH2		
Tightening torque load terminals	Nm	1.5	
	Ibin	13.3	
Conductor section connectable (load terminals) with 1 or 2 wires min...max			
	AWG stranded	n°	18...10

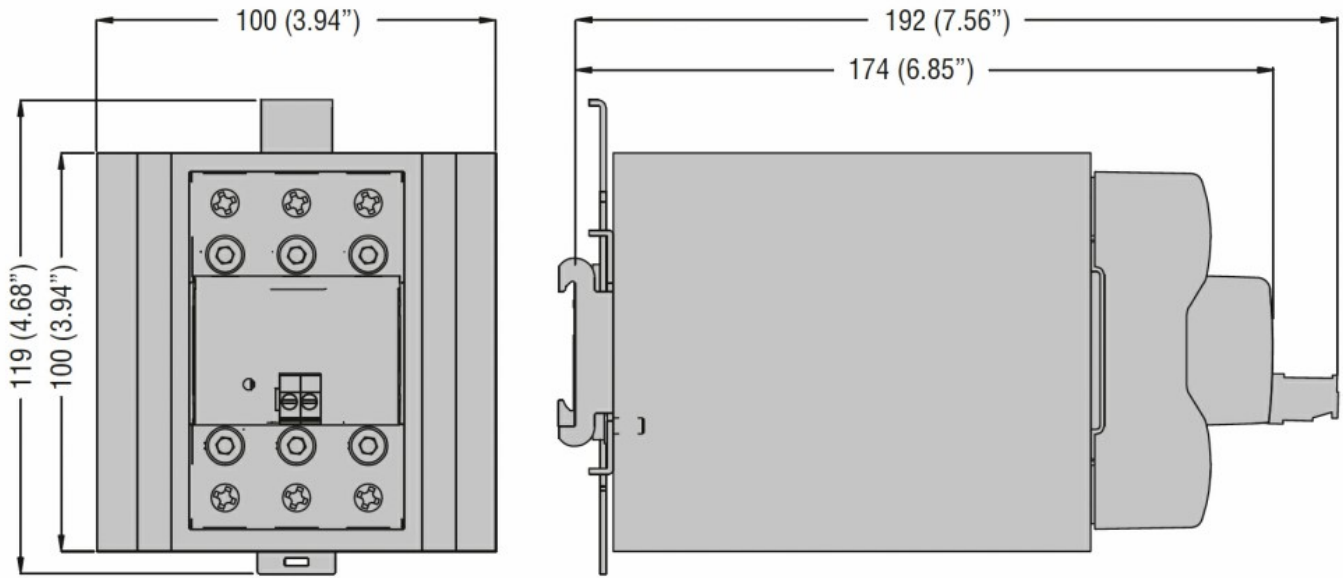
Flexible w/o lug	mm ²	1...6
Flexible c/w insulated spade lug	mm ²	1...16

Operating position	allowable	On vertical plane
Fixing		Screw or on 35mm DIN rail

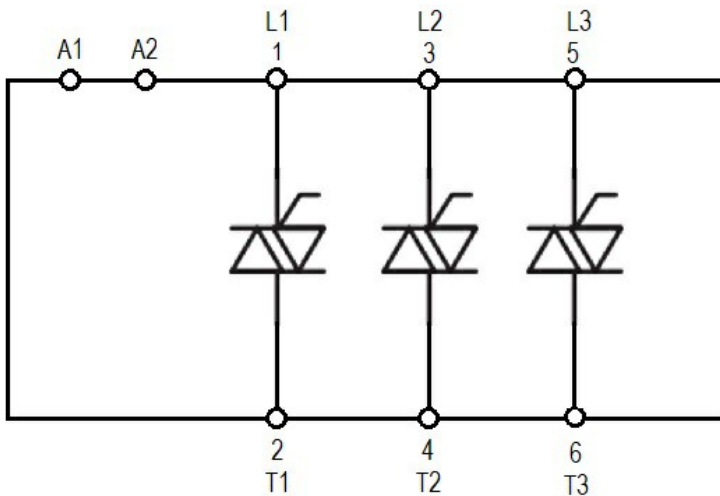
Ambient conditions

Temperature	Operating temperature	min °C	-40
		max °C	+80
	Storage temperature	min °C	-40
		max °C	+130

Dimensions



Wiring diagrams



Certifications and compliance

Certifications	IEC/EN/BS 60335-1
	IEC/EN/BS 60947-4-2
	IEC/EN/BS 60947-4-3

IEC/EN/BS 62314

Compliance

cULus

ETIM classification

EC000066 - Power contactor, AC switching