



### General characteristics

#### Material

|         |                       |
|---------|-----------------------|
| Housing | Polymer thermoplastic |
| Roller  | Metal                 |

### Contact characteristics

#### Type of contact

1NO+1NC Slow action make before break

|  |         |                     |
|--|---------|---------------------|
| Thermal current I <sub>th</sub>                  | A       | 10                  |
| IEC/EN 60947-5-1 designation                     |         | A600 Q600           |
| Rated insulation voltage U <sub>i</sub>          | V       | 690                 |
| Rated impulse withstand voltage U <sub>imp</sub> | kV      | 6                   |
| Insulation class                                 |         | II                  |
| Short-circuit protection with fuse               | Class/A | 10 gG/SC QUICK FUSE |

#### Switching speed

|     |     |     |
|-----|-----|-----|
| min | m/s | 0.5 |
| max | m/s | 1.5 |

#### IEC Conventional free air thermal current I<sub>th</sub> ≤ 40°C

A 10

#### Resistance per pole (average value)

mΩ <10

### Mechanical features

#### Operating head fixing

Locking bayonet insert

#### Operating torque

|                |     |
|----------------|-----|
| N              | 5   |
| l <sub>b</sub> | 1.1 |

#### Tightening torque (Max)

##### Switch fixing

|                  |      |
|------------------|------|
| Nm               | 2.5  |
| l <sub>bin</sub> | 22.1 |

##### Contact terminals

|                  |     |
|------------------|-----|
| Nm               | 0.8 |
| l <sub>bin</sub> | 7   |

##### Body lid screw fixing

|                  |     |
|------------------|-----|
| Nm               | 0.8 |
| l <sub>bin</sub> | 7   |

#### Conductor section

##### AWG/Kcmil

|     |    |
|-----|----|
| min | 16 |
| max | 14 |

##### IEC

|     |                 |     |
|-----|-----------------|-----|
| min | mm <sup>2</sup> | 1.5 |
| max | mm <sup>2</sup> | 2.5 |

#### Cable connection

Self-releasing screw terminal

|             |                   |
|-------------|-------------------|
| Cable entry | M20 on the bottom |
|-------------|-------------------|

**Operations**

|                      |          |           |
|----------------------|----------|-----------|
| Mechanical life      | cycles   | <10000000 |
| Mechanical operation | cycles/h | 3600      |

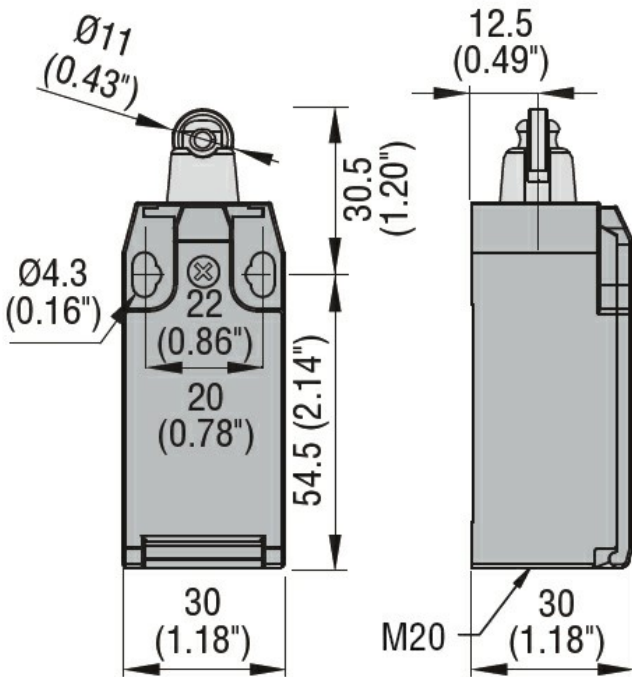
**Ambient conditions**

|             |                       |     |    |     |
|-------------|-----------------------|-----|----|-----|
| Temperature | Operating temperature | min | °C | -25 |
|             |                       | max | °C | +70 |
|             | Storage temperature   | min | °C | -40 |
|             |                       | max | °C | +70 |

**Resistance & Protection**

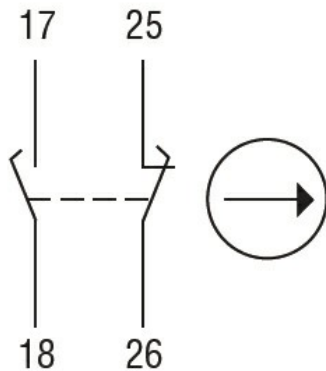
|                  |              |      |
|------------------|--------------|------|
| IP degree        | Terminals    | IP20 |
|                  | Body housing | IP65 |
| Pollution degree |              | 3    |

**Dimensions**



**Wiring diagrams**

## Slow action



**1NO + 1NC**  
**make before break**

### Certifications and compliance

#### Compliance

CSA C22.2 n° 14

EN 50047

IEC/EN 60204-1

IEC/EN 60947-1

IEC/EN 60947-5-1

UL508

#### Certificates

CCC

cULus

EAC

### ETIM classification

ETIM 8.0

EC000030 - End  
switch