



### General characteristics

#### Material

Housing	Polymer thermoplastic
Rod	Aluminium-zinc alloy

### Contact characteristics

Type of contact	2NC Independent		
Thermal current I <sub>th</sub>	A	10	
IEC/EN 60947-5-1 designation	A600 Q600		
Rated insulation voltage U <sub>i</sub>	V	690	
Rated impulse withstand voltage U <sub>imp</sub>	kV	6	
Insulation class	II		
Short-circuit protection with fuse	Class/A	10 gG/SC QUICK FUSE	
Switching speed	min	m/s	0.5
	max	m/s	1.5
IEC Conventional free air thermal current I <sub>th</sub> ≤ 40°C	A	10	
Resistance per pole (average value)	mΩ	<10	

### Mechanical features

Operating head fixing	Locking bayonet insert			
Operating torque	Ncm	3		
	ozin	4.25		
Tightening torque (Max)	Switch fixing	Nm	2.5	
		lbin	22.1	
	Contact terminals	Nm	0.8	
		lbin	7	
	Body lid screw fixing	Nm	0.8	
		lbin	7	
Conductor section	AWG/Kcmil	min	16	
		max	14	
	IEC	min	mm <sup>2</sup>	1.5
		max	mm <sup>2</sup>	2.5
Cable connection	Self-releasing screw terminal			

Cable entry	M20 on the bottom
-------------	-------------------

**Operations**

Mechanical life	cycles	<10000000
Mechanical operation	cycles/h	3600

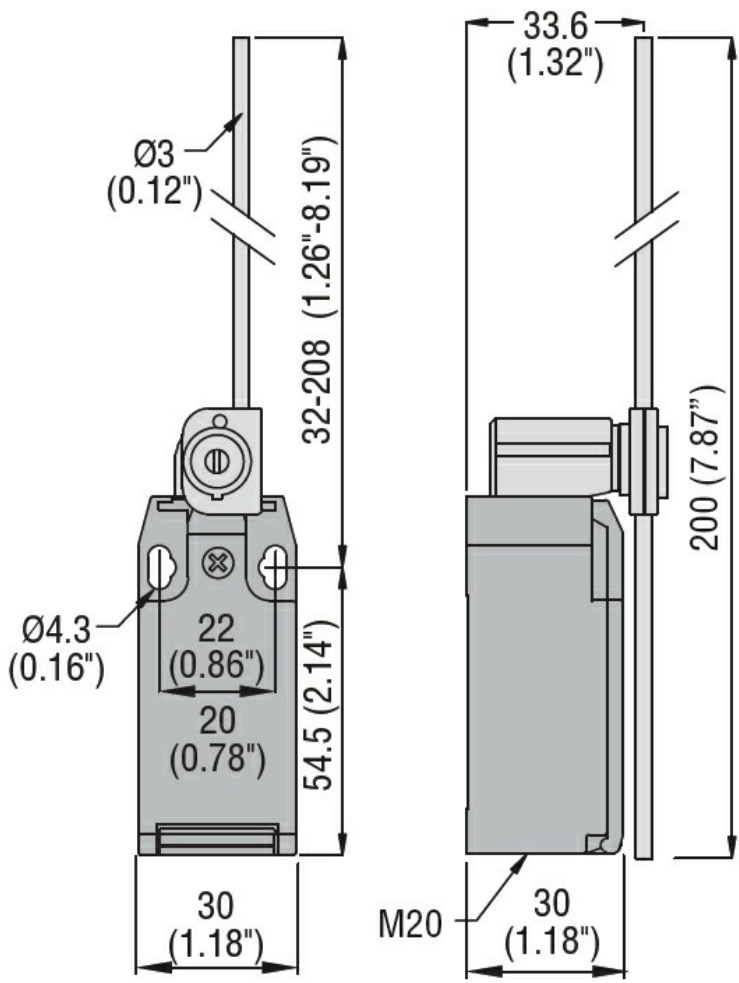
**Ambient conditions**

Temperature	Operating temperature	min	°C	-25
		max	°C	+70
	Storage temperature	min	°C	-40
		max	°C	+70

**Resistance & Protection**

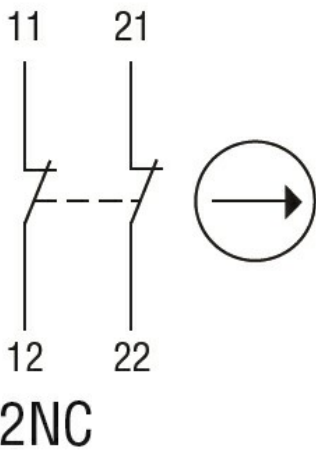
IP degree	Terminals	IP20
	Body housing	IP65
Pollution degree		3

**Dimensions**



**Wiring diagrams**

## Snap action



### Certifications and compliance

#### Compliance

CSA C22.2 n° 14  
EN 50047  
IEC/EN 60204-1  
IEC/EN 60947-1  
IEC/EN 60947-5-1  
UL508

#### Certificates

CCC  
cULus  
EAC

### ETIM classification

ETIM 8.0

EC000030 - End  
switch