



General characteristics

General characteristics

| | |
|------------------|-----------------------|
| Housing Material | Polymer thermoplastic |
| Rod material | Short cylinder hinge |

Contact characteristics

| | | | |
|--|---------------------|---------------------|-----|
| Type of contact | 1NO+2NC Slow action | | |
| Thermal current Ith | A | 10 | |
| IEC/EN 60947-5-1 designation | A600 Q600 | | |
| Rated insulation voltage Ui | V | 690 | |
| Rated impulse withstand voltage Uimp | kV | 6 | |
| Insulation class | II | | |
| Short-circuit protection with fuse | Class/A | 10 gG/SC QUICK FUSE | |
| Switching speed | min | m/s | 0.5 |
| | max | m/s | 1.5 |
| IEC Conventional free air thermal current Ith ≤ 40°C | A | 10 | |
| Resistance per pole (average value) | mΩ | <10 | |

Operations

| | | |
|----------------------|----------|--------|
| Mechanical life | cycles | 100000 |
| B10d | cycles | 100000 |
| Mechanical operation | cycles/h | 3600 |

Output characteristics

| | | |
|-----------------|--------|--------|
| Mechanical life | cycles | 100000 |
|-----------------|--------|--------|

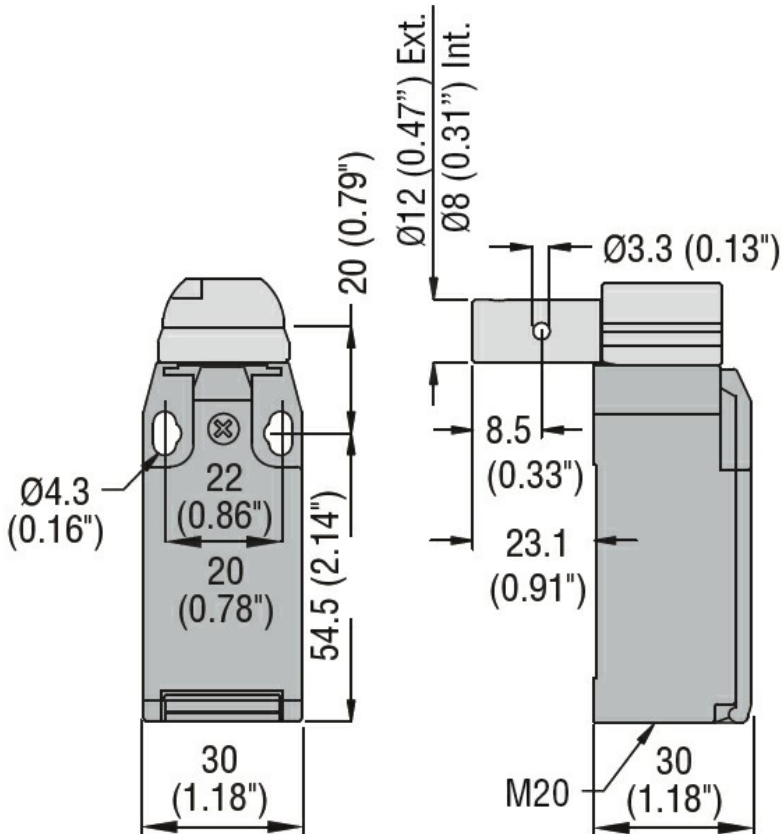
Mechanical features

| | | | |
|-------------------------|------------------------|------|------|
| Operating head fixing | Locking bayonet insert | | |
| Operating torque | Ncm | 15 | |
| | ozin | 21.2 | |
| Tightening torque (Max) | Switch fixing | Nm | 2.5 |
| | | lbin | 22.1 |
| | Contact terminals | Nm | 0.8 |
| | | lbin | 7 |
| Body lid screw fixing | Nm | 0.8 | |
| | lbin | 7 | |

| | | | |
|-------------------|-----------|-----|----|
| Conductor section | AWG/Kcmil | min | 16 |
|-------------------|-----------|-----|----|

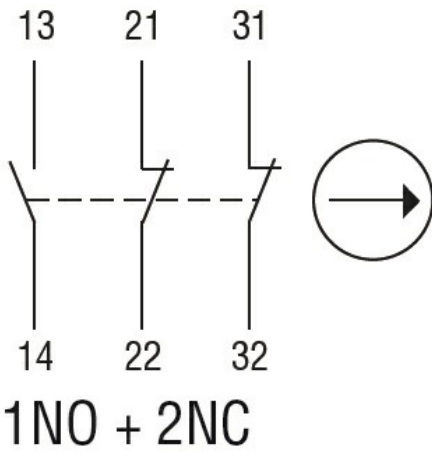
| | | | | |
|---------------------------|-----------------------|--|-----|-------------------------------|
| | | | max | 14 |
| IEC | | | min | mm ² 1.5 |
| | | | max | mm ² 2.5 |
| Cable connection | | | | Self-releasing screw terminal |
| Cable entry | | | | M20 on the bottom |
| Ambient conditions | | | | |
| Pollution degree | | | | 3 |
| Temperature | | | | |
| | Operating temperature | | min | °C -25 |
| | | | max | °C +70 |
| | Storage temperature | | min | °C -40 |
| | | | max | °C +70 |

Dimensions



Wiring diagrams

Slow action



Certifications and compliance

Compliance

CSA C22.2 n° 14

EN 50047

IEC/EN 60204-1

IEC/EN 60947-1

IEC/EN 60947-5-1

UL508

Certificates

CCC

cULus

EAC

ETIM classification

ETIM 8.0

EC000030 - End switch