



General characteristics

General characteristics

Housing Material	Polymer thermoplastic
------------------	-----------------------

Rod material	Long solid
--------------	------------

Contact characteristics

Type of contact	3NC Slow action
-----------------	-----------------

Thermal current I _{th}	A	10
---------------------------------	---	----

IEC/EN 60947-5-1 designation	A600 Q600
------------------------------	-----------

Rated insulation voltage U _i	V	690
---	---	-----

Rated impulse withstand voltage U _{imp}	kV	6
--	----	---

Insulation class	II
------------------	----

Short-circuit protection with fuse	Class/A	10 gG/SC QUICK FUSE
------------------------------------	---------	---------------------

Switching speed	min	m/s	0.5
	max	m/s	1.5

IEC Conventional free air thermal current I _{th} ≤ 40°C	A	10
--	---	----

Resistance per pole (average value)	mΩ	<10
-------------------------------------	----	-----

Operations

Mechanical life	cycles	100000
-----------------	--------	--------

B10d	cycles	100000
------	--------	--------

Mechanical operation	cycles/h	3600
----------------------	----------	------

Output characteristics

Mechanical life	cycles	100000
-----------------	--------	--------

Mechanical features

Operating head fixing	Locking bayonet insert
-----------------------	------------------------

Operating torque	Ncm	15
	ozin	21.2

Tightening torque (Max)	Switch fixing	Nm	2.5
		lbin	22.1

Contact terminals	Nm	0.8
	lbin	7

Body lid screw fixing	Nm	0.8
	lbin	7

Conductor section	AWG/Kcmil	min	16
		max	14

IEC

min	mm ²	1.5
max	mm ²	2.5

Cable connection

Self-releasing screw terminal

Cable entry

M20 on the bottom

Ambient conditions

Pollution degree

3

Temperature

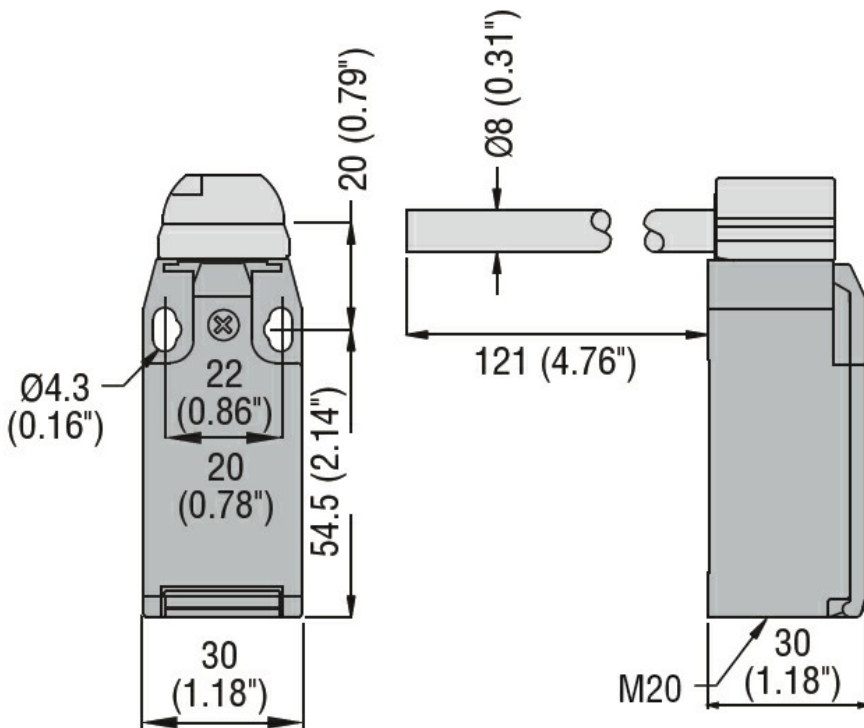
Operating temperature

min	°C	-25
max	°C	+70

Storage temperature

min	°C	-40
max	°C	+70

Dimensions



Wiring diagrams

Slow action



3NC

Certifications and compliance

Compliance

CSA C22.2 n° 14

EN 50047

IEC/EN 60204-1

IEC/EN 60947-1

IEC/EN 60947-5-1

UL508

Certificates

CCC

cULus

EAC

ETIM classification

ETIM 8.0

EC000030 - End switch