



General characteristics			
General characteristics			
Housing Material			Polymer thermoplastic
Contact characteristics			
Type of contact			1NO+1NC Slow action
Thermal current I _{th}	A		10
IEC/EN 60947-5-1 designation			A600 Q600
Rated insulation voltage U _i	V		690
Rated impulse withstand voltage U _{imp}	kV		6
Insulation class			II
Short-circuit protection with fuse	Class/A		10 gG/SC QUICK FUSE
Switching speed			
	min	m/s	0.5
	max	m/s	1.5
IEC Conventional free air thermal current I _{th} ≤ 40°C	A		10
Resistance per pole (average value)	mΩ		<10
Operations			
Mechanical life	cycles		100000
B10d	cycles		100000
Mechanical operation	cycles/h		3600
Output characteristics			
Mechanical life	cycles		100000
Mechanical features			
Operating head fixing			Locking bayonet insert
Operating torque			
	Ncm		15
	ozin		21.2
Tightening torque (Max)			
Switch fixing			
	Nm		2.5
	lbin		22.1
Contact terminals			
	Nm		0.8
	lbin		7
Body lid screw fixing			
	Nm		0.8
	lbin		7
Conductor section			
AWG/Kcmil			
	min		16
	max		14

IEC

min	mm ²	1.5
max	mm ²	2.5

Cable connection

Self-releasing screw terminal

Cable entry

M20 on the bottom

Ambient conditions

Pollution degree

3

Temperature

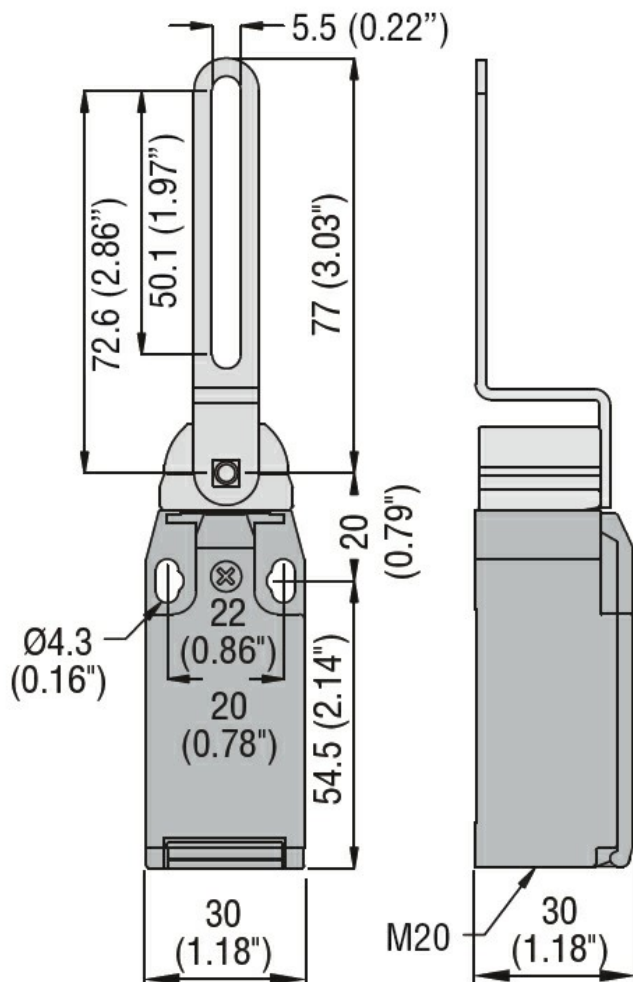
Operating temperature

min	°C	-25
max	°C	+70

Storage temperature

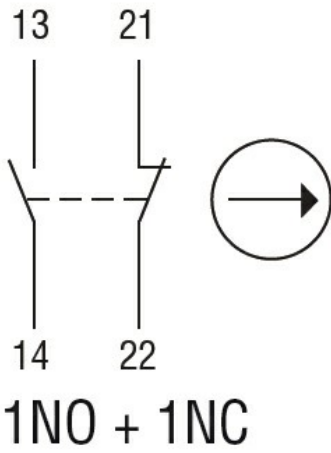
min	°C	-40
max	°C	+70

Dimensions



Wiring diagrams

Slow action



Certifications and compliance

Compliance

CSA C22.2 n° 14

EN 50047

IEC/EN 60204-1

IEC/EN 60947-1

IEC/EN 60947-5-1

UL508

Certificates

CCC

cULus

EAC

ETIM classification

ETIM 8.0

EC000030 - End switch