



**General characteristics**

**General characteristics**

Housing Material	Polymer thermoplastic
------------------	-----------------------

**Contact characteristics**

Type of contact	1NO+2NC Slow action		
Thermal current I <sub>th</sub>	A	10	
IEC/EN 60947-5-1 designation	A600 Q600		
Rated insulation voltage U <sub>i</sub>	V	690	
Rated impulse withstand voltage U <sub>imp</sub>	kV	6	
Insulation class	II		
Short-circuit protection with fuse	Class/A	10 gG/SC QUICK FUSE	
Switching speed	min	m/s	0.5
	max	m/s	1.5

IEC Conventional free air thermal current I <sub>th</sub> ≤ 40°C	A	10	
Resistance per pole (average value)	mΩ	<10	

**Operations**

Mechanical life	cycles	100000	
B10d	cycles	100000	
Mechanical operation	cycles/h	3600	

**Output characteristics**

Mechanical life	cycles	100000	
-----------------	--------	--------	--

**Mechanical features**

Operating head fixing	Locking bayonet insert		
Operating torque	Ncm	15	
	ozin	21.2	
Tightening torque (Max)	Switch fixing	Nm	2.5
		lbin	22.1
Contact terminals	Nm	0.8	
	lbin	7	
Body lid screw fixing	Nm	0.8	
	lbin	7	

Conductor section	AWG/Kcmil	min	16
		max	14

IEC

min	mm <sup>2</sup>	1.5
max	mm <sup>2</sup>	2.5

Cable connection

Self-releasing screw terminal

Cable entry

M20 on the bottom

**Ambient conditions**

Pollution degree

3

Temperature

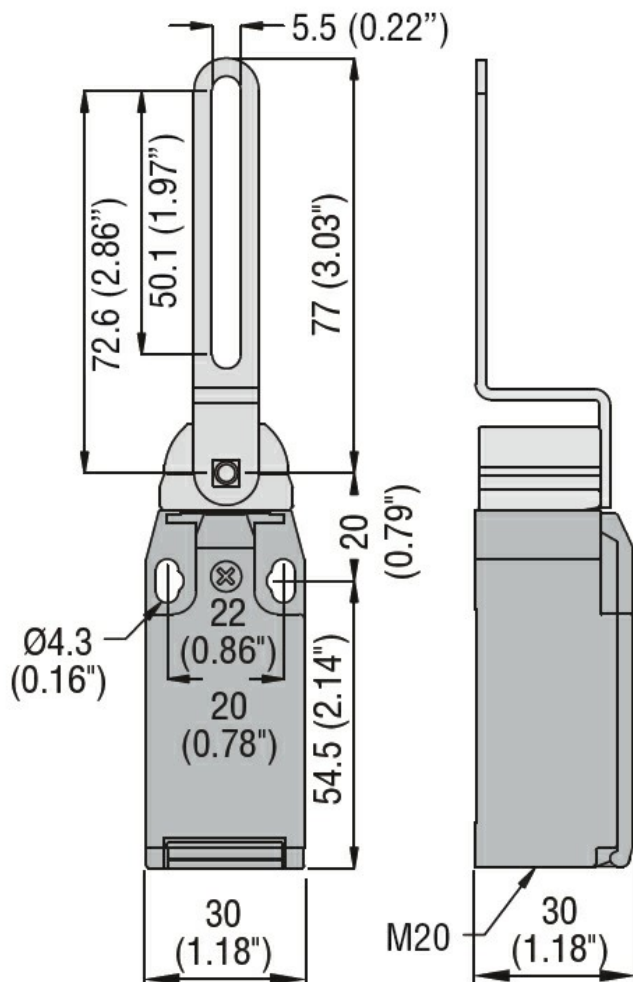
Operating temperature

min	°C	-25
max	°C	+70

Storage temperature

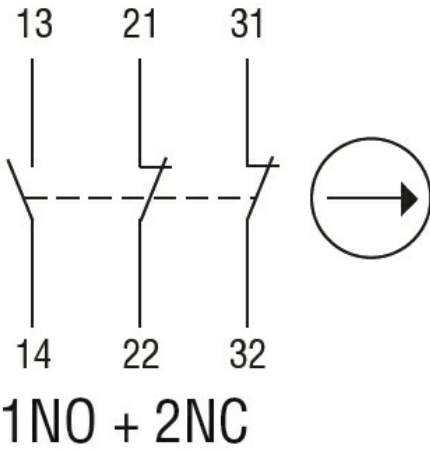
min	°C	-40
max	°C	+70

**Dimensions**



**Wiring diagrams**

## Slow action



### Certifications and compliance

#### Compliance

CSA C22.2 n° 14

EN 50047

IEC/EN 60204-1

IEC/EN 60947-1

IEC/EN 60947-5-1

UL508

#### Certificates

CCC

cULus

EAC

### ETIM classification

ETIM 8.0

EC000030 - End switch