



General characteristics

General characteristics

Housing Material	Polymer thermoplastic
------------------	-----------------------

Contact characteristics

Type of contact	2NO+1NC Slow action
Thermal current I _{th}	A 10
IEC/EN 60947-5-1 designation	A600 Q600
Rated insulation voltage U _i	V 690
Rated impulse withstand voltage U _{imp}	kV 6
Insulation class	II
Short-circuit protection with fuse	Class/A 10 gG/SC QUICK FUSE
Switching speed	min m/s 0.5 max m/s 1.5

IEC Conventional free air thermal current I _{th} ≤ 40°C	A 10
--	------

Resistance per pole (average value)	mΩ <10
-------------------------------------	--------

Operations

Mechanical life	cycles 100000
B10d	cycles 100000
Mechanical operation	cycles/h 3600

Output characteristics

Mechanical life	cycles 100000
-----------------	---------------

Mechanical features

Operating head fixing	Locking bayonet insert
-----------------------	------------------------

Operating torque	Ncm 15 ozin 21.2
------------------	---------------------

Tightening torque (Max)	Switch fixing	Nm 2.5
		lbin 22.1

Contact terminals	Nm 0.8
	lbin 7

Body lid screw fixing	Nm 0.8
	lbin 7

Conductor section	AWG/Kcmil	min 16
		max 14

IEC

min	mm ²	1.5
max	mm ²	2.5

Cable connection

Self-releasing screw terminal

Cable entry

M20 on the bottom

Ambient conditions

Pollution degree

3

Temperature

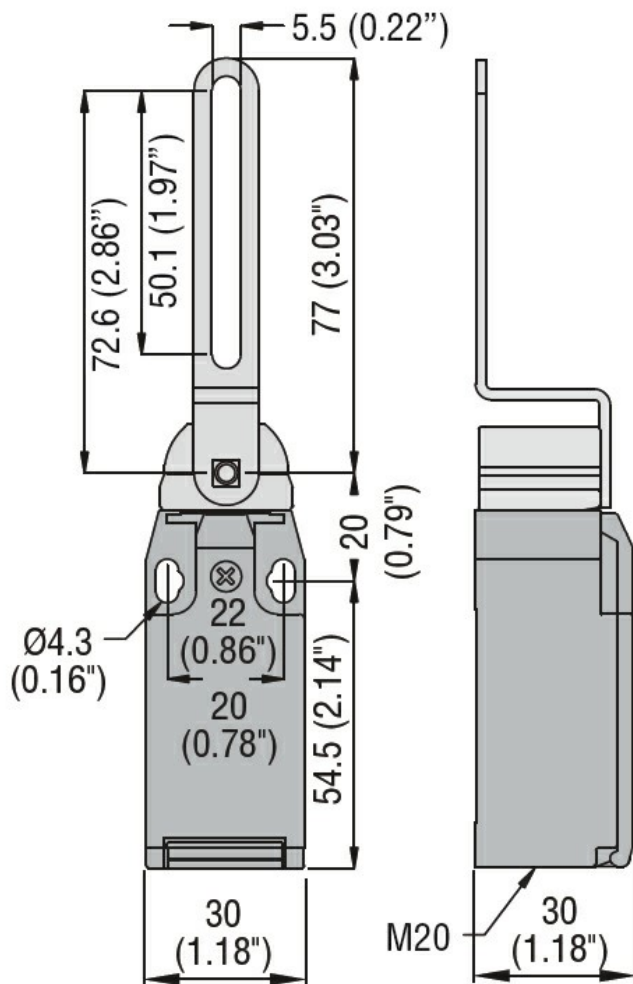
Operating temperature

min	°C	-25
max	°C	+70

Storage temperature

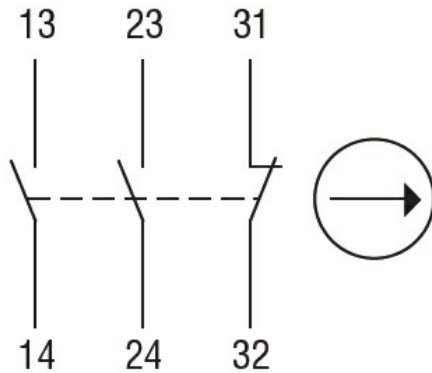
min	°C	-40
max	°C	+70

Dimensions



Wiring diagrams

Slow action



2NO + 1NC

Certifications and compliance

Compliance

CSA C22.2 n° 14

EN 50047

IEC/EN 60204-1

IEC/EN 60947-1

IEC/EN 60947-5-1

UL508

Certificates

CCC

cULus

EAC

ETIM classification

ETIM 8.0

EC000030 - End switch