



General characteristics

General characteristics

Housing Material	Polymer thermoplastic
Rod material	Short cylinder hinge

Contact characteristics

Type of contact	2NC Slow action		
Thermal current Ith	A	10	
IEC/EN 60947-5-1 designation	A600 Q600		
Rated insulation voltage Ui	V	690	
Rated impulse withstand voltage Uimp	kV	6	
Insulation class	II		
Short-circuit protection with fuse	Class/A	10 gG/SC QUICK FUSE	

Switching speed	min	m/s	0.5
	max	m/s	1.5

IEC Conventional free air thermal current Ith ≤ 40°C	A	10
Resistance per pole (average value)	mΩ	<10

Operations

Mechanical life	cycles	100000
B10d	cycles	100000
Mechanical operation	cycles/h	3600

Output characteristics

Mechanical life	cycles	100000
-----------------	--------	--------

Mechanical features

Operating head fixing	Locking bayonet insert
-----------------------	------------------------

Operating torque	Ncm	15
	ozin	21.2

Tightening torque (Max)	Switch fixing	Nm	2.5
		lbin	22.1

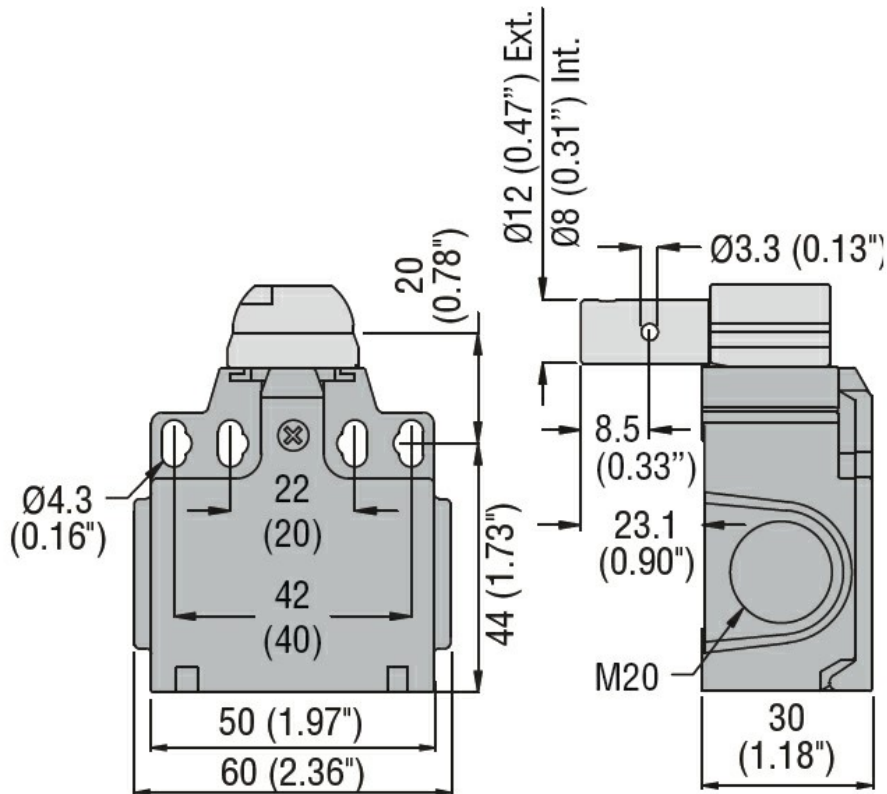
Contact terminals	Nm	0.8
	lbin	7

Body lid screw fixing	Nm	0.8
	lbin	7

Conductor section	AWG/Kcmil	min	16
-------------------	-----------	-----	----

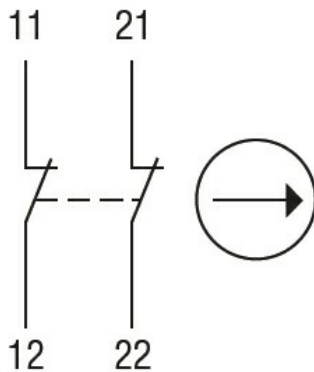
		max	14
IEC		min	mm ² 1.5
		max	mm ² 2.5
Cable connection			Self-releasing screw terminal
Cable entry			M20 on the sides
Ambient conditions			
Pollution degree			3
Temperature			
	Operating temperature	min	°C -25
		max	°C +70
	Storage temperature	min	°C -40
		max	°C +70

Dimensions



Wiring diagrams

Slow action



2NC

Certifications and compliance

Compliance

CSA C22.2 n° 14
EN 50047
IEC/EN 60204-1
IEC/EN 60947-1
IEC/EN 60947-5-1
UL508

Certificates

CCC
cULus
EAC

ETIM classification

ETIM 8.0

EC000030 - End
switch