



General characteristics			
General characteristics			
Housing Material			Polymer thermoplastic
Contact characteristics			
Type of contact			1NO (Key), 2NC+1NO (Solenoid)
Thermal current I _{th}	A		10
IEC/EN 60947-5-1 designation			A300 Q300
Rated insulation voltage U _i	V		250
Rated impulse withstand voltage U _{imp}	kV		2.5
Short-circuit protection with fuse	Class/A		10 gG
IEC Conventional free air thermal current I _{th} ≤ 40°C	A		10
Operations			
Mechanical life	cycles		1000000
B10d	cycles		4000000
Mechanical operation	cycles/h		600
Output characteristics			
Mechanical life	cycles		1000000
Mechanical features			
Operating head fixing			Screwed
Operating torque		N	15 (actuator insertion), 30 (Release actuator extraction), 1200 (locked actuator holding)
Tightening torque (Max)			
Switch fixing		Nm	2.5
Contact terminals		Nm	0.8
Body lid screw fixing		Nm	0.8
Conductor section	IEC		
		min	mm ² 1 or 2
		max	mm ² 1.5
Cable connection			Self-releasing screw terminal
Cable entry			3 x M20
Weight		g	440
Ambient conditions			
Pollution degree			3

Temperature

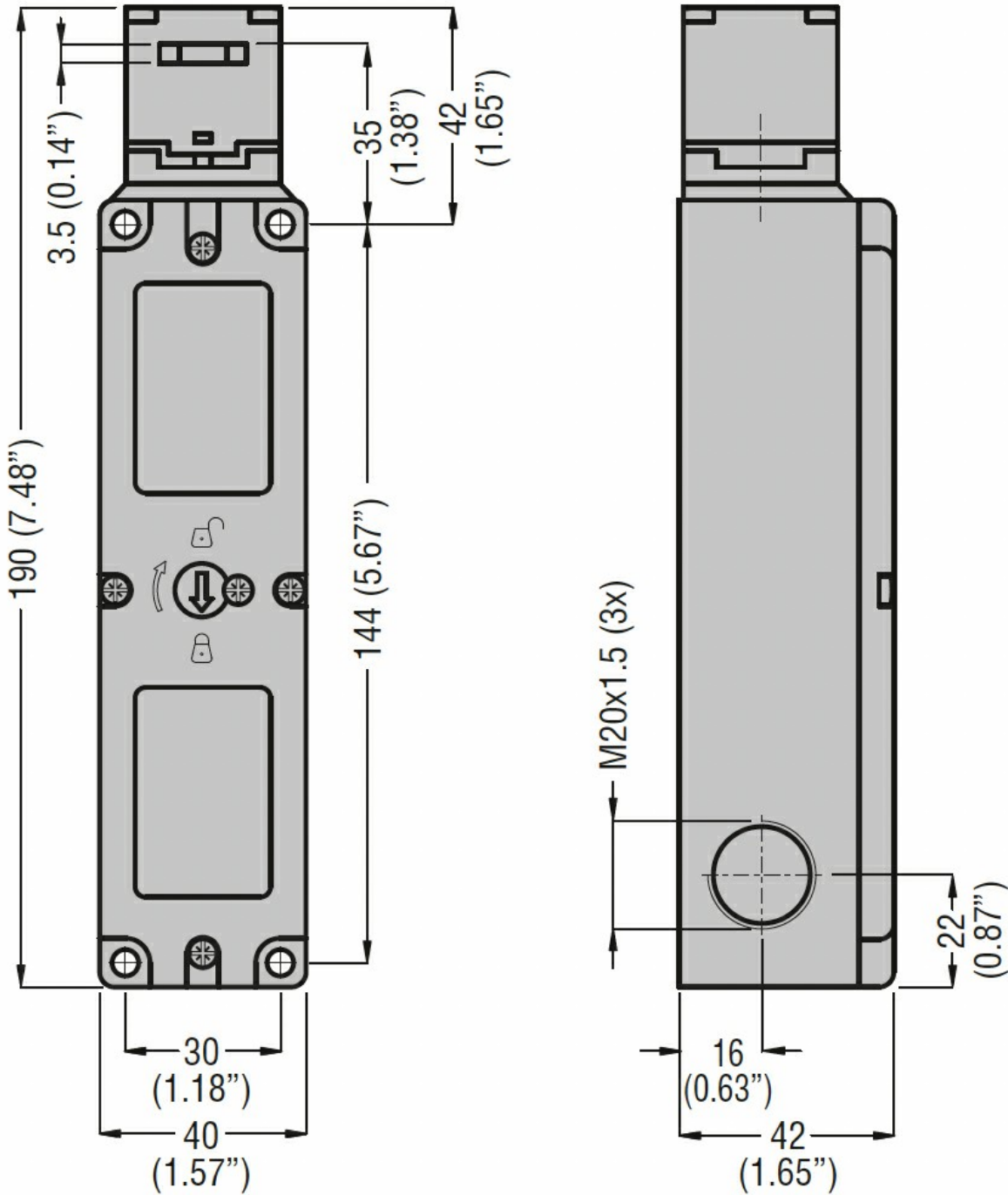
Operating temperature

max °C +55

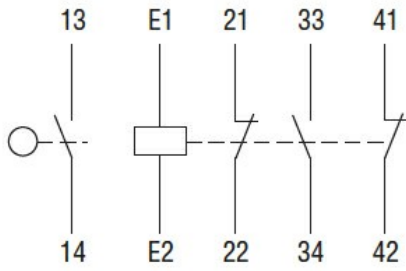
Storage temperature

min °C -40
max °C +70

Dimensions



Wiring diagrams



Certifications and compliance

Compliance

CSA C22.2 n°14

IEC/EN 60204

IEC/EN 60947-1

IEC/EN 60947-5-1

UL508

UNI EN ISO 14119

Certificates

cULus

EAC

ETIM classification

ETIM 8.0

EC000030 - End
switch