



General characteristics

General characteristics

Housing Material	Polymer thermoplastic
------------------	-----------------------

Contact characteristics

Type of contact	1NO (Key), 2NC+1NO (Solenoid)
Thermal current I _{th}	A 10
IEC/EN 60947-5-1 designation	A300 Q300
Rated insulation voltage U _i	V 250
Rated impulse withstand voltage U _{imp}	kV 2.5
Short-circuit protection with fuse	Class/A 10 gG
IEC Conventional free air thermal current I _{th} ≤ 40°C	A 10

Operations

Mechanical life	cycles 1000000
B10d	cycles 4000000
Mechanical operation	cycles/h 600

Output characteristics

Mechanical life	cycles 1000000
-----------------	----------------

Mechanical features

Operating head fixing	Screwed
Operating torque	N 15 (actuator insertion), 30 (Release actuator extraction), 1200 (locked actuator holding)

Tightening torque (Max)			
Switch fixing	Nm	2.5	
Contact terminals	Nm	0.8	
Body lid screw fixing	Nm	0.8	

Conductor section	IEC	min	mm ²	1 or 2
		max	mm ²	1.5

Cable connection	Self-releasing screw terminal
Cable entry	3 x M20
Weight	g 440

Ambient conditions

Pollution degree	3
------------------	---

Temperature

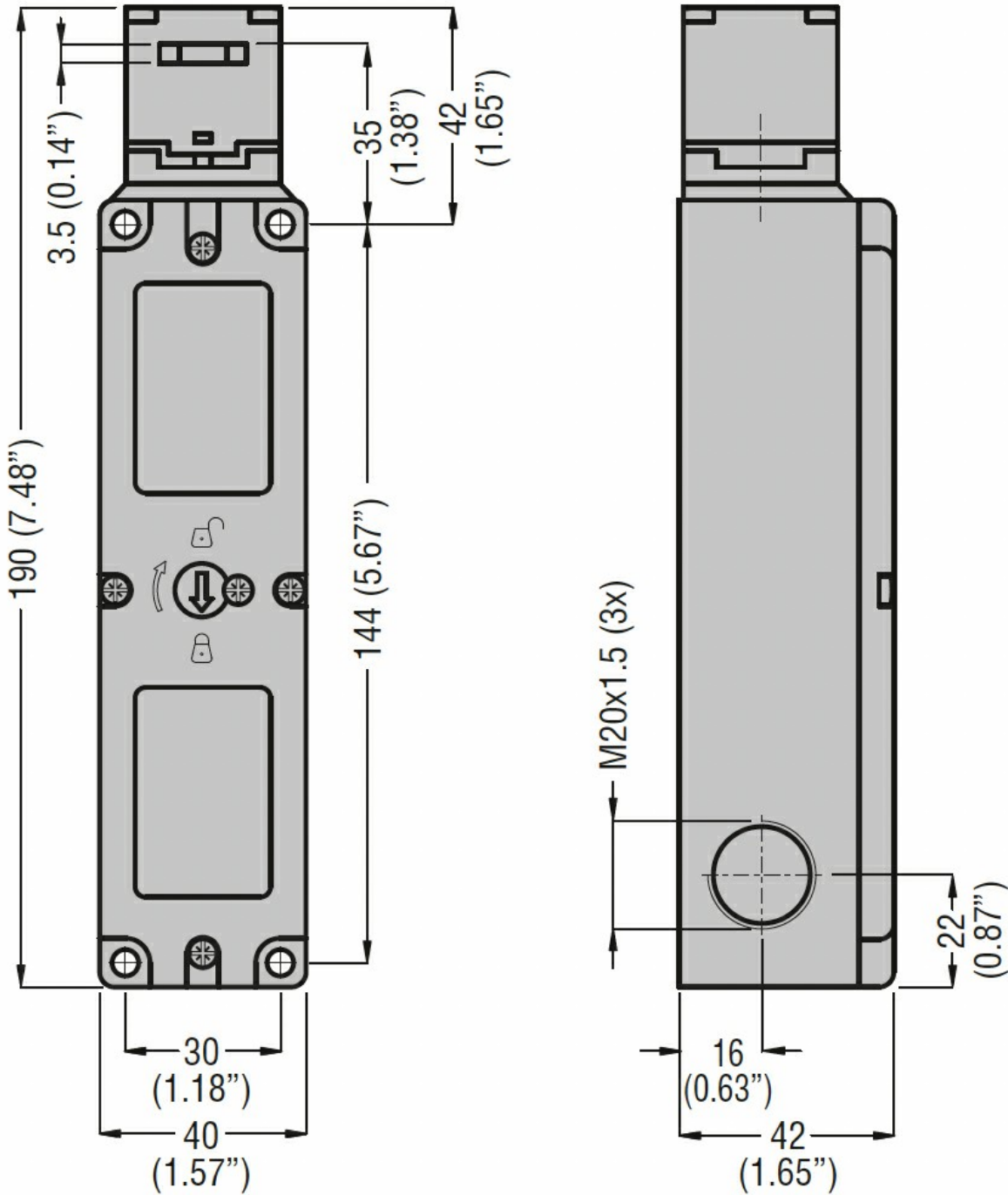
Operating temperature

max °C +55

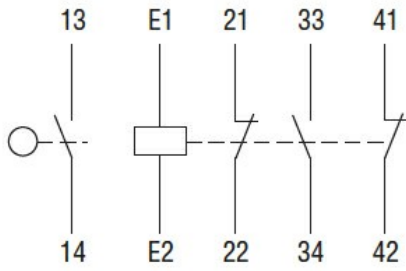
Storage temperature

min °C -40
max °C +70

Dimensions



Wiring diagrams



Certifications and compliance

Compliance

CSA C22.2 n°14

IEC/EN 60204

IEC/EN 60947-1

IEC/EN 60947-5-1

UL508

UNI EN ISO 14119

Certificates

cULus

EAC

ETIM classification

ETIM 8.0

EC000030 - End
switch