



**General characteristics**

**General characteristics**

Housing Material	Polymer thermoplastic
------------------	-----------------------

**Contact characteristics**

Type of contact	1NO+1NC (Key), 2NC (Solenoid)
Thermal current I <sub>th</sub>	A 10
IEC/EN 60947-5-1 designation	A300 Q300
Rated insulation voltage U <sub>i</sub>	V 250
Rated impulse withstand voltage U <sub>imp</sub>	kV 2.5
Short-circuit protection with fuse	Class/A 10 gG
IEC Conventional free air thermal current I <sub>th</sub> ≤ 40°C	A 10

**Operations**

Mechanical life	cycles 1000000
B10d	cycles 4000000
Mechanical operation	cycles/h 600

**Output characteristics**

Mechanical life	cycles 1000000
-----------------	----------------

**Mechanical features**

Operating head fixing	Screwed
Operating torque	

N 15 (actuator insertion), 30 (Release actuator extraction), 1200 (locked actuator holding)

Tightening torque (Max)			
Switch fixing	Nm	2.5	
Contact terminals	Nm	0.8	
Body lid screw fixing	Nm	0.8	

Conductor section	IEC		
	min	mm <sup>2</sup>	1 or 2
	max	mm <sup>2</sup>	1.5

Cable connection	Self-releasing screw terminal
------------------	-------------------------------

Cable entry	3 x M20
-------------	---------

Weight	g 440
--------	-------

**Ambient conditions**

Pollution degree	3
------------------	---

Temperature	
-------------	--

Operating temperature

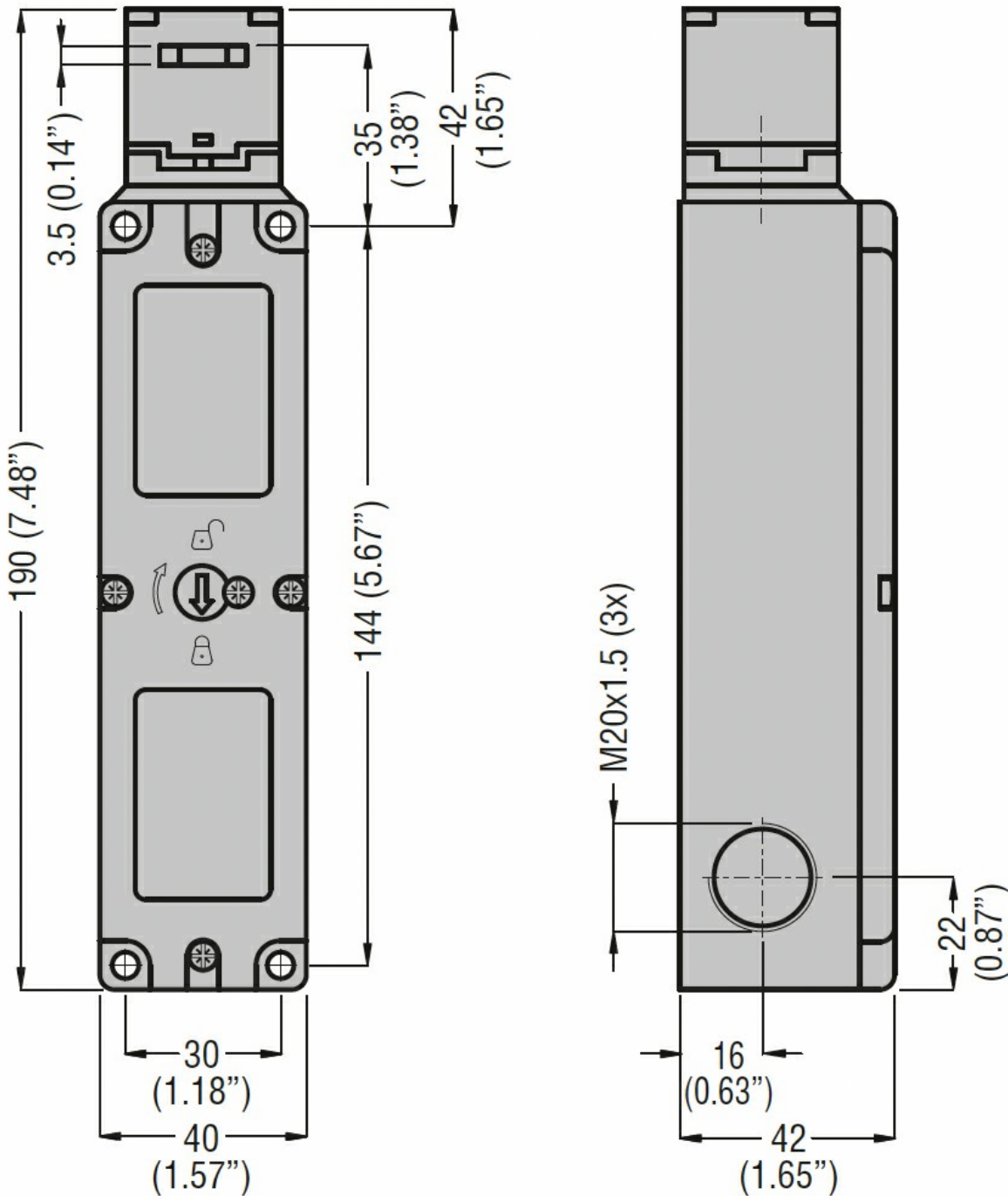
max °C +55

Storage temperature

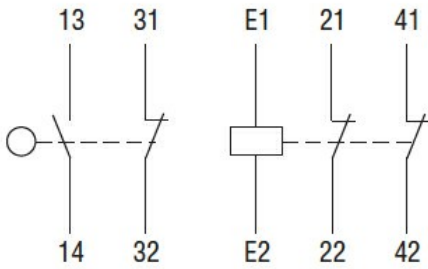
min °C -40

max °C +70

**Dimensions**



**Wiring diagrams**



### Certifications and compliance

#### Compliance

CSA C22.2 n°14

IEC/EN 60204

IEC/EN 60947-1

IEC/EN 60947-5-1

UL508

UNI EN ISO 14119

#### Certificates

cULus

EAC

### ETIM classification

ETIM 8.0

EC000030 - End  
switch