



General characteristics

General characteristics

| | |
|------------------|-----------------------|
| Housing Material | Polymer thermoplastic |
|------------------|-----------------------|

Contact characteristics

| | |
|--|-------------------------------------|
| Type of contact | 1NO (Key), 2NC+1NO (Solenoid) |
| Thermal current I _{th} | A 10 |
| IEC/EN 60947-5-1 designation | A300 Q300 |
| Rated insulation voltage U _i | V 250 |
| Rated impulse withstand voltage U _{imp} | kV 2.5 |
| Short-circuit protection with fuse | Class/A 10 gG |
| IEC Conventional free air thermal current I _{th} ≤ 40°C | A 10 |

Operations

| | |
|----------------------|----------------|
| Mechanical life | cycles 1000000 |
| B10d | cycles 4000000 |
| Mechanical operation | cycles/h 600 |

Output characteristics

| | |
|-----------------|----------------|
| Mechanical life | cycles 1000000 |
|-----------------|----------------|

Mechanical features

| | |
|-----------------------|---|
| Operating head fixing | Screwed |
| Operating torque | N 15 (actuator insertion), 30 (Release actuator extraction), 1200 (locked actuator holding) |

Tightening torque (Max)

| | |
|-----------------------|--------|
| Switch fixing | Nm 2.5 |
| Contact terminals | Nm 0.8 |
| Body lid screw fixing | Nm 0.8 |

Conductor section

| | | |
|-----|----------------------------|-------------------------|
| IEC | min mm ² 1 or 2 | max mm ² 1.5 |
|-----|----------------------------|-------------------------|

Cable connection

| | |
|------------------|-------------------------------|
| Cable connection | Self-releasing screw terminal |
| Cable entry | 3 x M20 |
| Weight | g 440 |

Ambient conditions

| | |
|------------------|---|
| Pollution degree | 3 |
|------------------|---|

Temperature

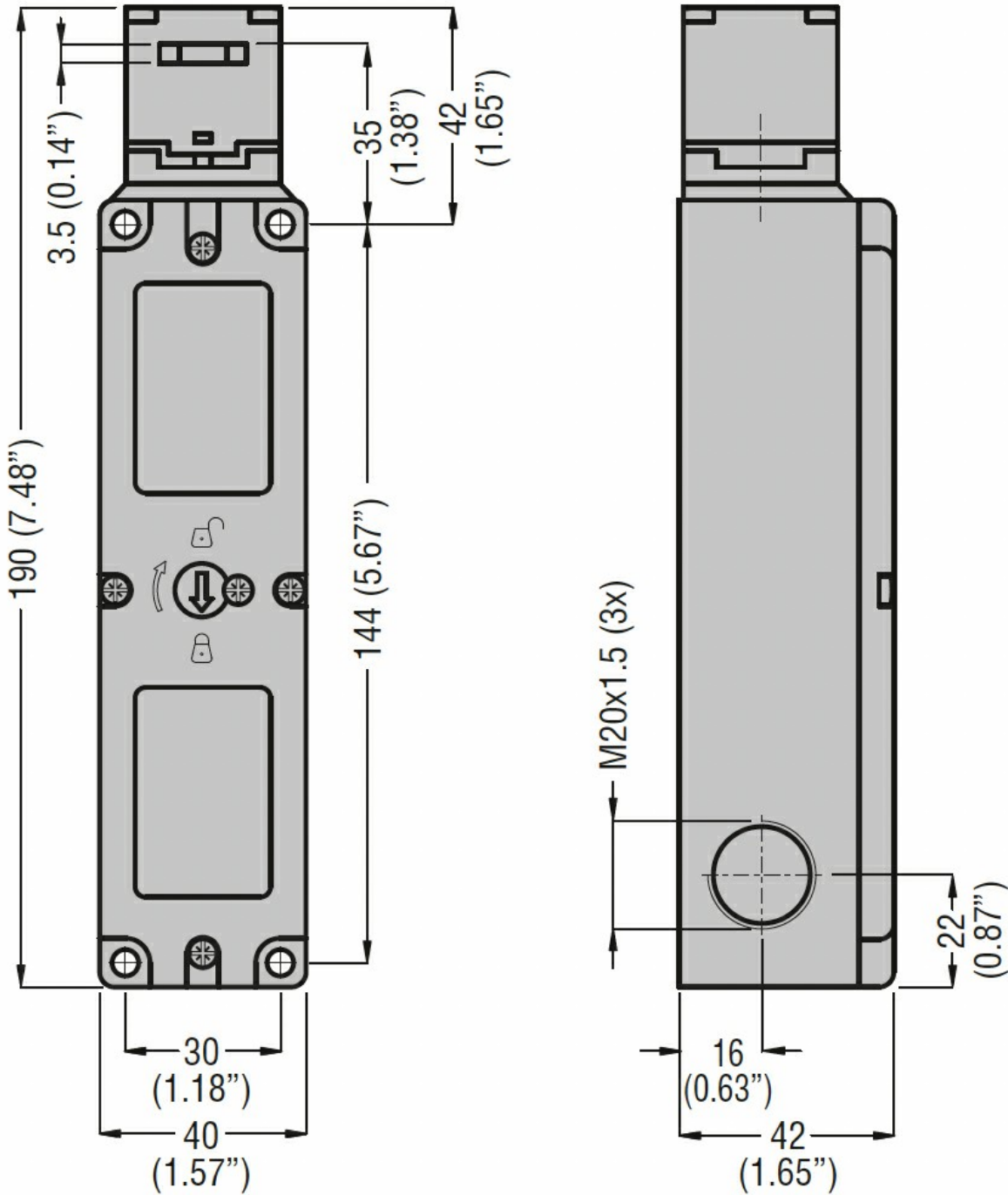
Operating temperature

max °C +55

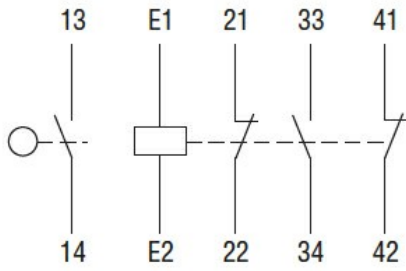
Storage temperature

min °C -40
max °C +70

Dimensions



Wiring diagrams



Certifications and compliance

Compliance

CSA C22.2 n°14

IEC/EN 60204

IEC/EN 60947-1

IEC/EN 60947-5-1

UL508

UNI EN ISO 14119

Certificates

cULus

EAC

ETIM classification

ETIM 8.0

EC000030 - End
switch