



General characteristics

General characteristics

Housing Material	Aluminium-zinc alloy		
Rod material	Short cylinder hinge		

Contact characteristics

Type of contact	1NO+2NC Slow action		
Thermal current I _{th}	A	10	
IEC/EN 60947-5-1 designation	A300 Q300		
Rated insulation voltage U _i	V	440	
Rated impulse withstand voltage U _{imp}	kV	4	
Short-circuit protection with fuse	Class/A	10 gG/SC QUICK FUSE	
Switching speed	min	m/s	0.5
	max	m/s	1.5
IEC Conventional free air thermal current I _{th} ≤ 40°C	A	10	
Resistance per pole (average value)	mΩ	<10	

Operations

Mechanical life	cycles	100000	
B10d	cycles	100000	
Mechanical operation	cycles/h	3600	

Output characteristics

Mechanical life	cycles	100000	
-----------------	--------	--------	--

Mechanical features

Operating head fixing	Locking bayonet insert		
Operating torque	Ncm	15	
	ozin	21.2	
Tightening torque (Max)	Switch fixing	Nm	2.5
		lbin	22.1
Contact terminals	Nm	0.8	
	lbin	7	
Body lid screw fixing	Nm	0.8	
	lbin	7	

Conductor section

AWG/Kcmil

min	16
max	14

IEC

min	mm ²	1.5
max	mm ²	2.5

Cable connection

Self-releasing screw terminal

Cable entry

M20 on the bottom

Ambient conditions

Pollution degree

3

Temperature

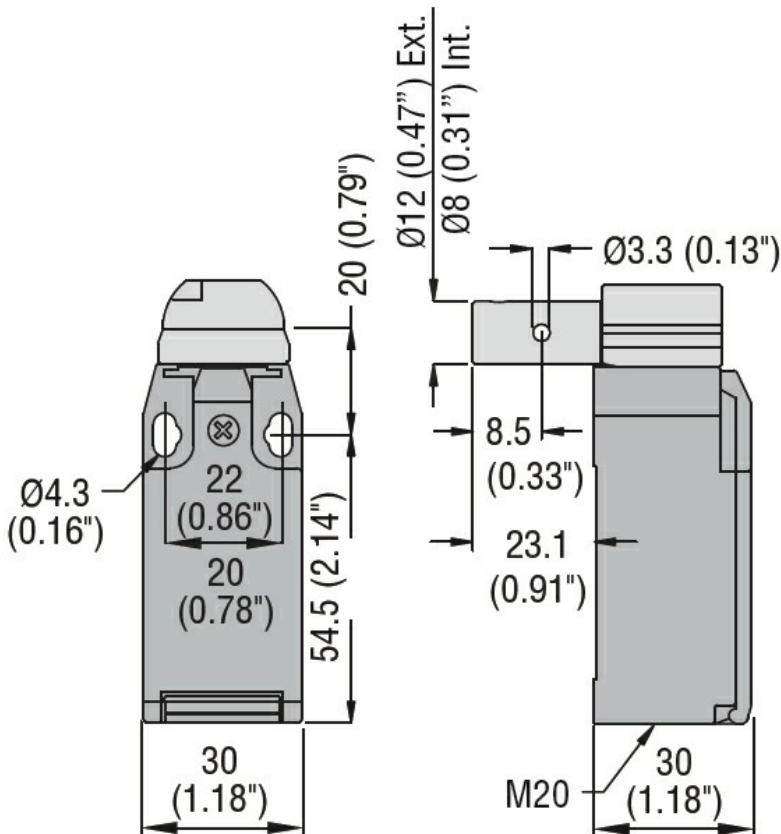
Operating temperature

min	°C	-25
max	°C	+70

Storage temperature

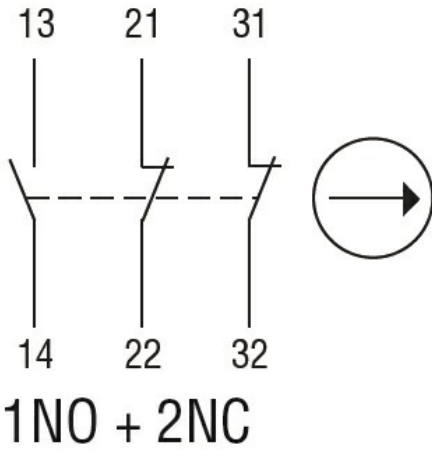
min	°C	-40
max	°C	+70

Dimensions



Wiring diagrams

Slow action



Certifications and compliance

Compliance

CSA C22.2 n° 14

EN 50047

IEC/EN 60204-1

IEC/EN 60947-1

IEC/EN 60947-5-1

UL508

Certificates

CCC

cULus

EAC

ETIM classification

ETIM 8.0

EC000030 - End switch