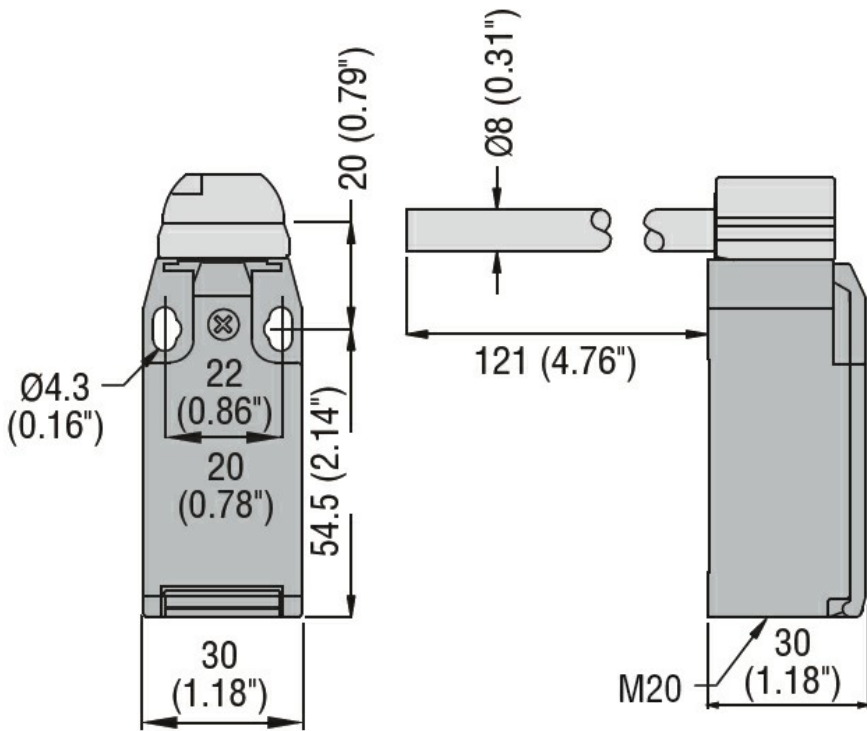




| General characteristics | | | |
|--|---------|------------------------|---------|
| General characteristics | | | |
| Housing Material | | Aluminium-zinc alloy | |
| Rod material | | Long solid | |
| Contact characteristics | | | |
| Type of contact | | 2NC Slow action | |
| Thermal current I _{th} | A | 10 | |
| IEC/EN 60947-5-1 designation | | A300 Q300 | |
| Rated insulation voltage U _i | V | 440 | |
| Rated impulse withstand voltage U _{imp} | kV | 4 | |
| Short-circuit protection with fuse | Class/A | 10 gG/SC QUICK FUSE | |
| Switching speed | | min | m/s 0.5 |
| | | max | m/s 1.5 |
| IEC Conventional free air thermal current I _{th} ≤ 40°C | A | 10 | |
| Resistance per pole (average value) | mΩ | <10 | |
| Operations | | | |
| Mechanical life | | cycles | 100000 |
| B10d | | cycles | 100000 |
| Mechanical operation | | cycles/h | 3600 |
| Output characteristics | | | |
| Mechanical life | | cycles | 100000 |
| Mechanical features | | | |
| Operating head fixing | | Locking bayonet insert | |
| Operating torque | | Ncm | 15 |
| | | ozin | 21.2 |
| Tightening torque (Max) | | | |
| Switch fixing | | Nm | 2.5 |
| | | lbin | 22.1 |
| Contact terminals | | Nm | 0.8 |
| | | lbin | 7 |
| Body lid screw fixing | | Nm | 0.8 |
| | | lbin | 7 |
| Conductor section | | | |
| AWG/Kcmil | | min | 16 |
| | | max | 14 |
| IEC | | | |

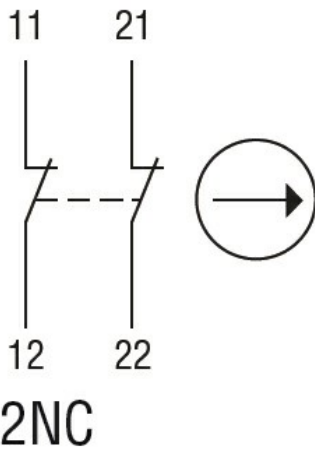
| | | | |
|---------------------------|-------------------------------|-----------------|-----|
| | min | mm ² | 1.5 |
| | max | mm ² | 2.5 |
| Cable connection | Self-releasing screw terminal | | |
| Cable entry | M20 on the bottom | | |
| Ambient conditions | | | |
| Pollution degree | 3 | | |
| Temperature | Operating temperature | | |
| | min | °C | -25 |
| | max | °C | +70 |
| | Storage temperature | | |
| | min | °C | -40 |
| | max | °C | +70 |

Dimensions



Wiring diagrams

Slow action



Certifications and compliance

Compliance

CSA C22.2 n° 14
EN 50047
IEC/EN 60204-1
IEC/EN 60947-1
IEC/EN 60947-5-1
UL508

Certificates

CCC
cULus
EAC

ETIM classification

ETIM 8.0

EC000030 - End switch