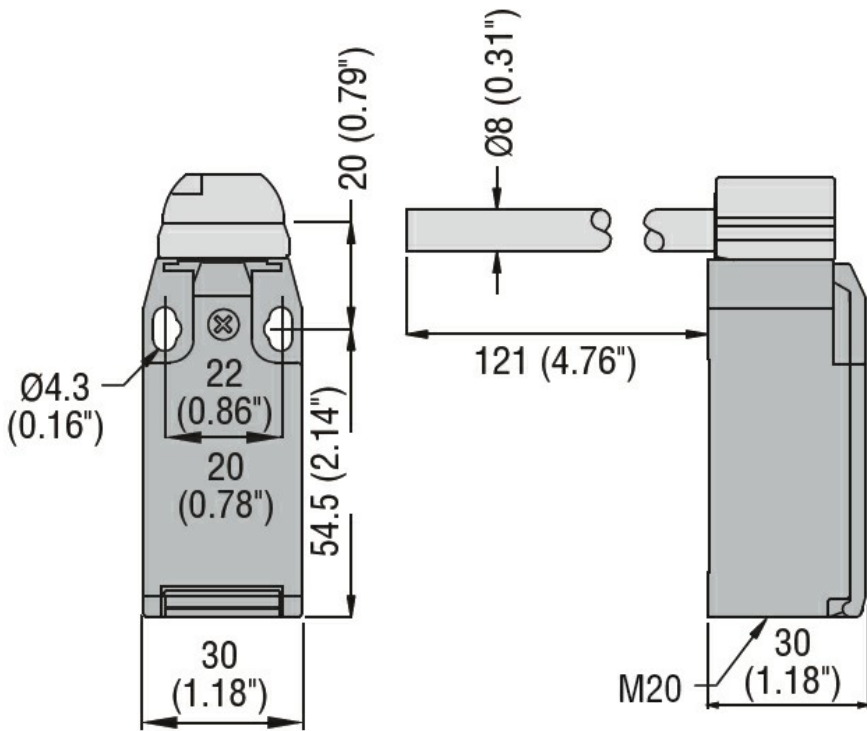




General characteristics			
General characteristics			
Housing Material		Aluminium-zinc alloy	
Rod material		Long solid	
Contact characteristics			
Type of contact		3NC Slow action	
Thermal current I <sub>th</sub>	A	10	
IEC/EN 60947-5-1 designation		A300 Q300	
Rated insulation voltage U <sub>i</sub>	V	440	
Rated impulse withstand voltage U <sub>imp</sub>	kV	4	
Short-circuit protection with fuse	Class/A	10 gG/SC QUICK FUSE	
Switching speed		min	m/s 0.5
		max	m/s 1.5
IEC Conventional free air thermal current I <sub>th</sub> ≤ 40°C	A	10	
Resistance per pole (average value)	mΩ	<10	
Operations			
Mechanical life		cycles	100000
B10d		cycles	100000
Mechanical operation		cycles/h	3600
Output characteristics			
Mechanical life		cycles	100000
Mechanical features			
Operating head fixing		Locking bayonet insert	
Operating torque		Ncm	15
		ozin	21.2
Tightening torque (Max)			
Switch fixing		Nm	2.5
		lbin	22.1
Contact terminals		Nm	0.8
		lbin	7
Body lid screw fixing		Nm	0.8
		lbin	7
Conductor section			
AWG/Kcmil		min	16
		max	14
IEC			

	min	mm <sup>2</sup>	1.5
	max	mm <sup>2</sup>	2.5
Cable connection	Self-releasing screw terminal		
Cable entry	M20 on the bottom		
<b>Ambient conditions</b>			
Pollution degree	3		
Temperature	Operating temperature		
	min	°C	-25
	max	°C	+70
	Storage temperature		
	min	°C	-40
	max	°C	+70

**Dimensions**



**Wiring diagrams**

## Slow action



## 3NC

### Certifications and compliance

#### Compliance

CSA C22.2 n° 14

EN 50047

IEC/EN 60204-1

IEC/EN 60947-1

IEC/EN 60947-5-1

UL508

#### Certificates

CCC

cULus

EAC

### ETIM classification

ETIM 8.0

EC000030 - End switch