



General characteristics

General characteristics

Housing Material	Aluminium-zinc alloy
------------------	----------------------

Contact characteristics

Type of contact	2NO+1NC Slow action
Thermal current Ith	A 10
IEC/EN 60947-5-1 designation	A300 Q300
Rated insulation voltage Ui	V 440
Rated impulse withstand voltage Uimp	kV 4
Short-circuit protection with fuse	Class/A 10 gG/SC QUICK FUSE

Switching speed	min	m/s	0.5
	max	m/s	1.5

IEC Conventional free air thermal current Ith ≤ 40°C	A	10
Resistance per pole (average value)	mΩ	<10

Operations

Mechanical life	cycles	100000
B10d	cycles	100000
Mechanical operation	cycles/h	3600

Output characteristics

Mechanical life	cycles	100000
-----------------	--------	--------

Mechanical features

Operating head fixing	Locking bayonet insert
-----------------------	------------------------

Operating torque	Ncm	15
	ozin	21.2

Tightening torque (Max)	Switch fixing	Nm	2.5
		lbin	22.1

Contact terminals	Nm	0.8
	lbin	7

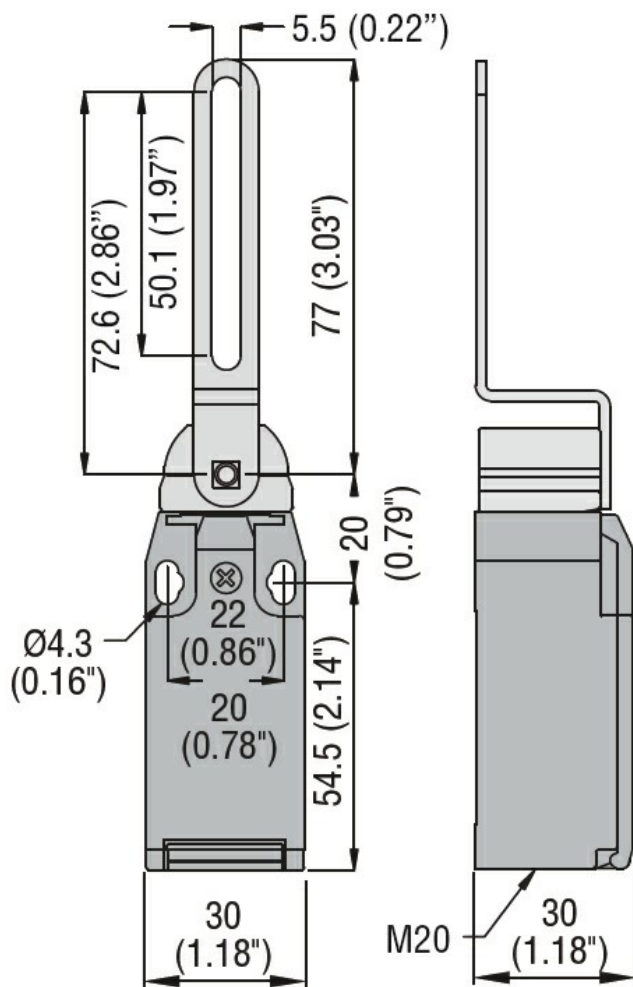
Body lid screw fixing	Nm	0.8
	lbin	7

Conductor section	AWG/Kcmil	min	16
		max	14

IEC		
-----	--	--

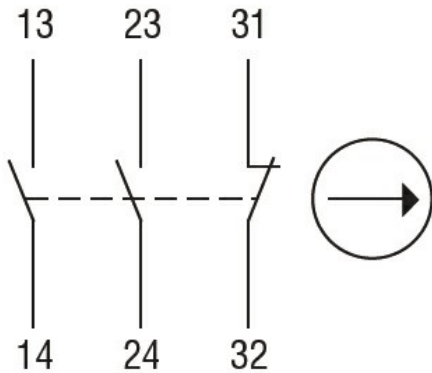
	min	mm ²	1.5
	max	mm ²	2.5
Cable connection	Self-releasing screw terminal		
Cable entry	M20 on the bottom		
Ambient conditions			
Pollution degree	3		
Temperature			
Operating temperature			
	min	°C	-25
	max	°C	+70
Storage temperature			
	min	°C	-40
	max	°C	+70

Dimensions



Wiring diagrams

Slow action



2NO + 1NC

Certifications and compliance

Compliance

CSA C22.2 n° 14

EN 50047

IEC/EN 60204-1

IEC/EN 60947-1

IEC/EN 60947-5-1

UL508

Certificates

CCC

cULus

EAC

ETIM classification

ETIM 8.0

EC000030 - End switch