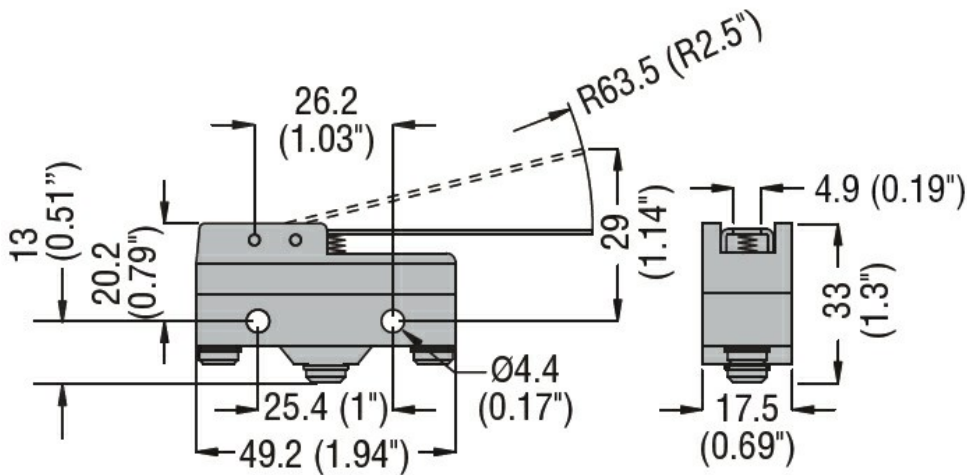
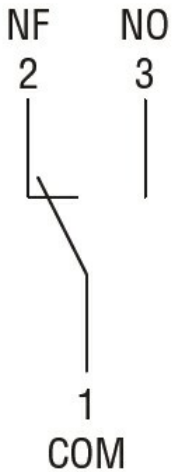




Product designation				Metal lever
Product type designation				KSL1
General characteristics				
Material	Housing		Polymer thermoplastic	
Contact characteristics				
Type of contact			1NO/NC	
Thermal current I _{th}	A		15	
IEC/EN 60947-5-1 designation			A600 P300	
Rated insulation voltage U _i	V		250	
Switching speed	min	m/s	0.01	
	max	m/s	1	
Operating speed	min	m/s	0.05	
	max	m/s	1	
IEC Conventional free air thermal current I _{th}	A		15	
Resistance per pole (average value)	mΩ		<15	
Conductivity			10mA 5V	
Mechanical features				
Terminals type				Solder
Operating head fixing				Fixed
Operating torque	N		6.4	
	ozin		23	
Weight	g		35	
Operations				
Mechanical life	cycles		20000000	
Electrical life	cycles		500000	
Mechanical operation	cycles/h		240	
Ambient conditions				
Temperature	Operating temperature		min	°C -25
			max	°C +70
Storage temperature			min	°C -40
			max	°C +70
Resistance & Protection				
IP degree	Body housing		IP00 or IP20 with terminal shroud	
Pollution degree				3
Dimensions				



Wiring diagrams



Certifications and compliance

Compliance

CSA C22.2 n° 14.
 IEC/EN 60947-1
 IEC/EN 60947-5-1
 IEC/EN 61058-1
 UL508

Certificates

cURus
 EAC

ETIM classification

ETIM 8.0

EC000030 - End switch