



### General characteristics

|                          |                          |
|--------------------------|--------------------------|
| Colour                   | Red                      |
| Type of positions        | Mushroom head pushbutton |
| Material                 | Polyamide                |
| IEC degree of protection | IP66, IP67 and IP69K     |

### Mechanical features

|   |        |                |
|---|--------|----------------|
| Operating force                           | kg-lb  | <0.5Kg / 1.1lb |
| Mechanical life - spring return actuators | cycles | 5000000        |
| Mechanical life - Latch actuators         | cycles | 300000         |
| Mounting adapter                          |        | LPXAU120       |
| Weight                                    | g      | 46             |

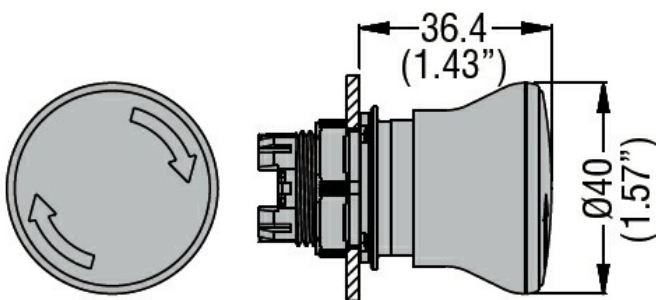
### UL technical data

|                         |                              |
|-------------------------|------------------------------|
| UL degree of protection | Type1, 2, 3R, 4, 4X, 12, 12K |
|-------------------------|------------------------------|

### Ambient conditions

|             |                       |     |    |     |
|-------------|-----------------------|-----|----|-----|
| Temperature | Operating temperature | min | °C | -25 |
|             |                       | max | °C | +70 |
|             | Storage temperature   | min | °C | -40 |
|             |                       | max | °C | +85 |

### Dimensions



### Certifications and compliance

|              |                     |
|--------------|---------------------|
| Compliance   | CSA C22.2 n° 14     |
|              | IEC/EN/BS 60947-1   |
|              | IEC/EN/BS 60947-5-1 |
|              | UL508               |
| Certificates | CCC                 |
|              | cULus               |
|              | EAC                 |

---

RINA

ETIM classification

ETIM 8.0

EC001038 -  
Front element for  
mushroom push-  
button