



### General characteristics

|                          |   |
|--------------------------|---|
| Colour                   | Red   |
| Type of positions        | Monoblock pilot light                       |
| Material                 | Polyamide                                   |
| IEC degree of protection | IP66, IP67 and IP69K on front; IP20 on rear |

### Electrical characteristics

|                     |    |                       |
|---------------------|----|-----------------------|
| Rated frequency     | Hz | 50-60                 |
| Supply voltage (AC) | V  | 24 (-15% ... +10% Ue) |
| Supply voltage (DC) | V  | 24 (-15% ... +10% Ue) |

### Operations

|                 |       |        |
|-----------------|-------|--------|
| Electrical life | hours | >30000 |
|-----------------|-------|--------|

### Mechanical features

|                                     |                             |                     |
|-------------------------------------|-----------------------------|---------------------|
| Tightening torque for terminals max | Nm                          | 0.8                 |
| Terminals screw                     | Screw termination           |                     |
| Conductor section                   | AWG/kcmil conductor section |                     |
|                                     | min                         | 18                  |
|                                     | max                         | 16                  |
|                                     | IEC                         |                     |
|                                     | max                         | mm <sup>2</sup> 2.5 |
| Fixing                              | Ring fixing Ø22mm           |                     |
| Weight                              | g                           | 21                  |

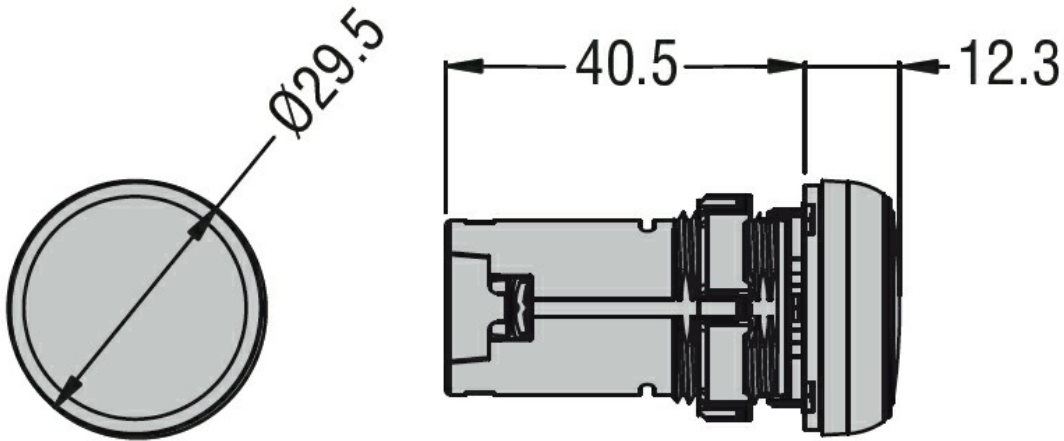
### UL technical data

|                         |                                       |
|-------------------------|---------------------------------------|
| UL degree of protection | Type1, 2, 3R, 4, 4X, 12, 12K on front |
|-------------------------|---------------------------------------|

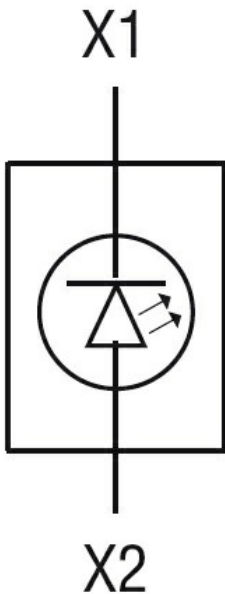
### Ambient conditions

|             |                       |    |     |
|-------------|-----------------------|----|-----|
| Temperature | Operating temperature |    |     |
|             | min                   | °C | -25 |
|             | max                   | °C | +70 |

### Dimensions



### Wiring diagrams



### Certifications and compliance

#### Compliance

CSA C22.2 n° 14  
IEC/EN/BS 60947-1  
IEC/EN/BS 60947-5-1  
UL508

#### Certificates

cULus  
EAC

### ETIM classification

ETIM 8.0

EC000272 -  
Indicator light  
complete