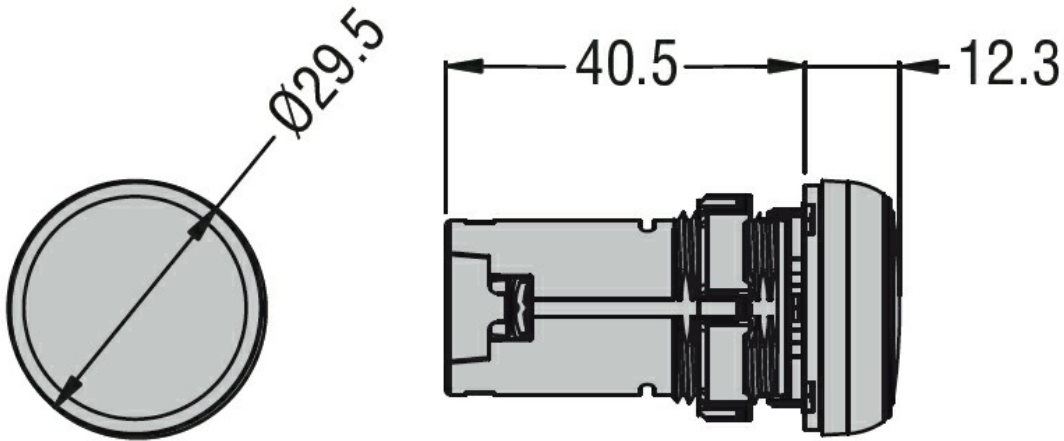
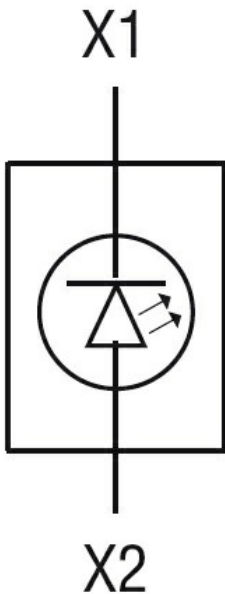




General characteristics			
Colour			Red
Type of positions			Monoblock pilot light
Material			Polyamide
IEC degree of protection			IP66, IP67 and IP69K on front; IP20 on rear
Electrical characteristics			
Rated frequency	Hz		50-60
Supply voltage (AC)	V		48 (-15% ... +10% Ue)
Supply voltage (DC)	V		48 (-15% ... +10% Ue)
Operations			
Electrical life	hours		>30000
Mechanical features			
Tightening torque for terminals max	Nm		0.8
Terminals screw			Screw termination
Conductor section			
	AWG/kcmil conductor section		
		min	18
		max	16
	IEC		
		max	mm ² 2.5
Fixing			Ring fixing Ø22mm
Weight		g	21
UL technical data			
UL degree of protection			Type1, 2, 3R, 4, 4X, 12, 12K on front
Ambient conditions			
Temperature			
	Operating temperature		
		min	°C -25
		max	°C +70
Dimensions			



Wiring diagrams



Certifications and compliance

Compliance

CSA C22.2 n° 14
IEC/EN/BS 60947-1
IEC/EN/BS 60947-5-1
UL508

Certificates

cULus
EAC

ETIM classification

ETIM 8.0

EC000272 -
Indicator light
complete