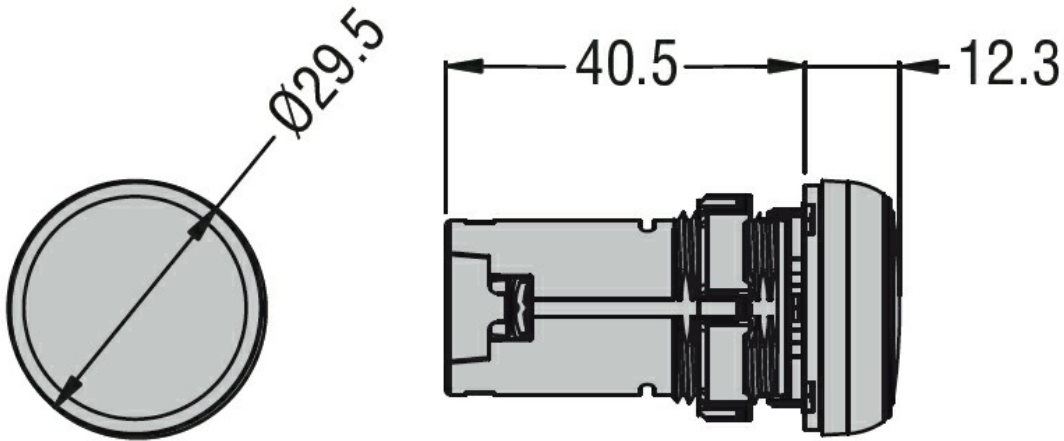
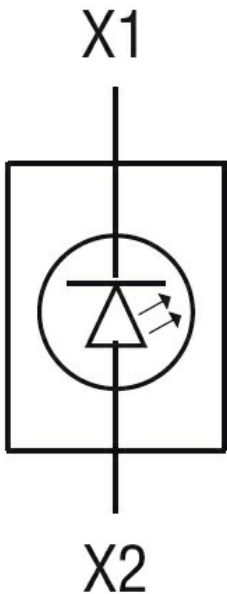




| General characteristics             |                             |     |   |
|-------------------------------------|-----------------------------|-----|---|
| Colour                              |                             |     | Yellow                                      |
| Type of positions                   |                             |     | Monoblock pilot light                       |
| Material                            |                             |     | Polyamide                                   |
| IEC degree of protection            |                             |     | IP66, IP67 and IP69K on front; IP20 on rear |
| Electrical characteristics          |                             |     |   |
| Rated frequency                     | Hz                          |     | 50-60                                       |
| Supply voltage (AC)                 | V                           |     | 48 (-15% ... +10% Ue)                       |
| Supply voltage (DC)                 | V                           |     | 48 (-15% ... +10% Ue)                       |
| Operations                          |                             |     |   |
| Electrical life                     | hours                       |     | >30000                                      |
| Mechanical features                 |                             |     |   |
| Tightening torque for terminals max | Nm                          |     | 0.8   |
| Terminals screw                     |                             |     | Screw termination                           |
| Conductor section                   |                             |     |   |
|                                     | AWG/kcmil conductor section |     |   |
|                                     |                             | min | 18  |
|                                     |                             | max | 16  |
|                                     | IEC                         |     |   |
|                                     |                             | max | mm <sup>2</sup> 2.5                         |
| Fixing                              |                             |     | Ring fixing Ø22mm                           |
| Weight                              |                             | g   | 21  |
| UL technical data                   |                             |     |   |
| UL degree of protection             |                             |     | Type1, 2, 3R, 4, 4X, 12, 12K on front       |
| Ambient conditions                  |                             |     |   |
| Temperature                         |                             |     |   |
|                                     | Operating temperature       |     |   |
|                                     |                             | min | °C -25                                      |
|                                     |                             | max | °C +70                                      |
| Dimensions                          |                             |     |   |



### Wiring diagrams



### Certifications and compliance

#### Compliance

CSA C22.2 n° 14  
IEC/EN/BS 60947-1  
IEC/EN/BS 60947-5-1  
UL508

#### Certificates

cULus  
EAC

### ETIM classification

ETIM 8.0

EC000272 -  
Indicator light  
complete