



### General characteristics

Colour	Transparent
Type of positions	Monoblock pilot light
Material	Polyamide
IEC degree of protection	IP66, IP67 and IP69K on front; IP20 on rear

### Electrical characteristics

Rated frequency	Hz	50-60
Supply voltage (AC)	V	230 (-15% ... +10% Ue)

### Operations

Electrical life	hours	>30000
-----------------	-------	--------

### Mechanical features

Tightening torque for terminals max	Nm	0.8
Terminals screw		Screw termination
Conductor section		
	AWG/kcmil conductor section	
	min	18
	max	16
	IEC	
	max	mm <sup>2</sup> 2.5
Fixing		Ring fixing Ø22mm
Weight	g	24

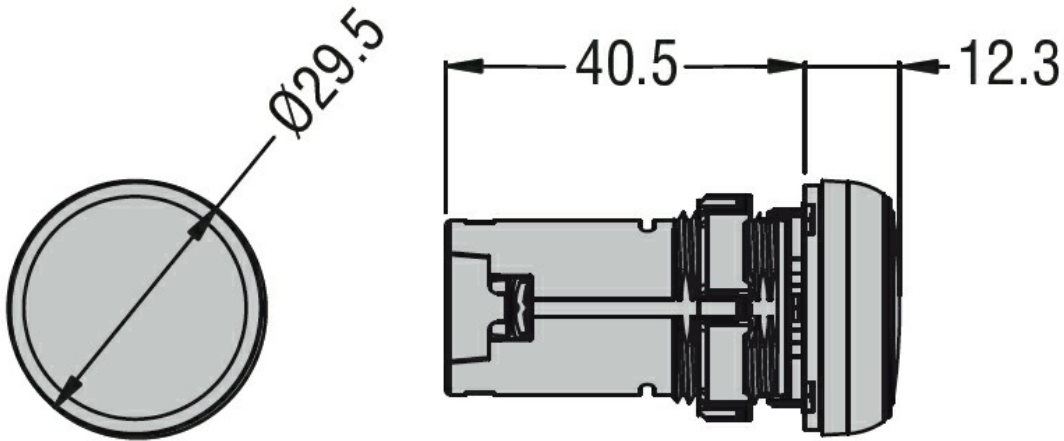
### UL technical data

UL degree of protection	Type1, 2, 3R, 4, 4X, 12, 12K on front
-------------------------	---------------------------------------

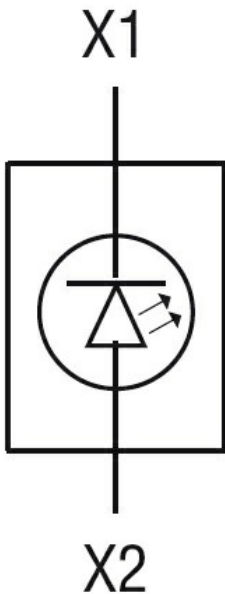
### Ambient conditions

Temperature			
	Operating temperature		
	min	°C	-25
	max	°C	+70

### Dimensions



### Wiring diagrams



### Certifications and compliance

#### Compliance

CSA C22.2 n° 14  
IEC/EN/BS 60947-1  
IEC/EN/BS 60947-5-1  
UL508

#### Certificates

cULus  
EAC

### ETIM classification

ETIM 8.0

EC000272 -  
Indicator light  
complete