



**General characteristics**

Colour Yellow

**Electrical characteristics**

Supply voltage (AC) V 220...240

**Mechanical features**

Operating position allowable Any

---

Weight g 22

**Ambient conditions**

Temperature

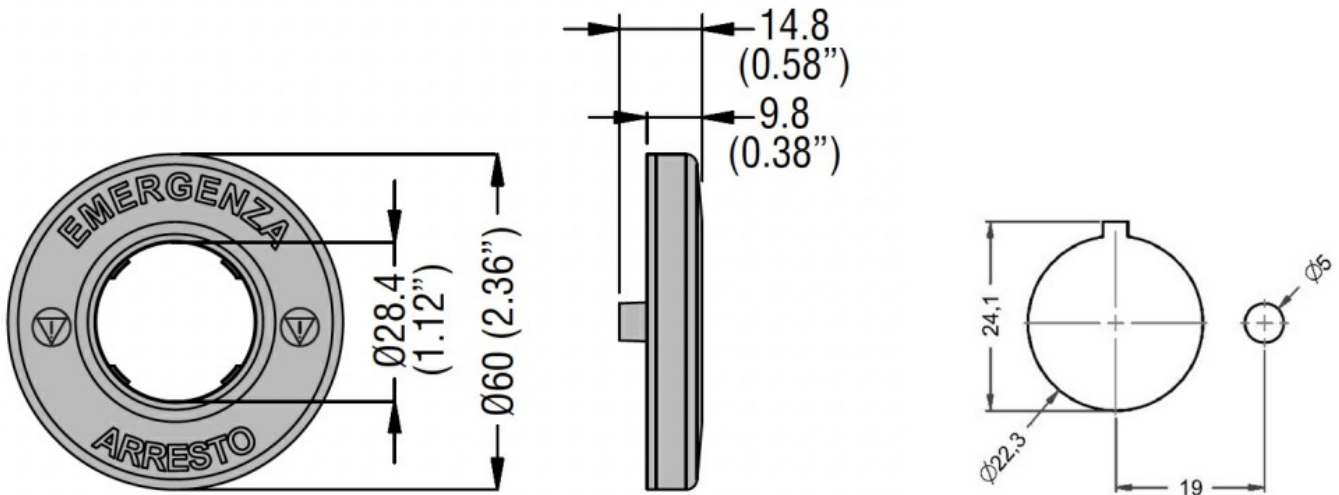
Operating temperature

min °C -25  
max °C +60

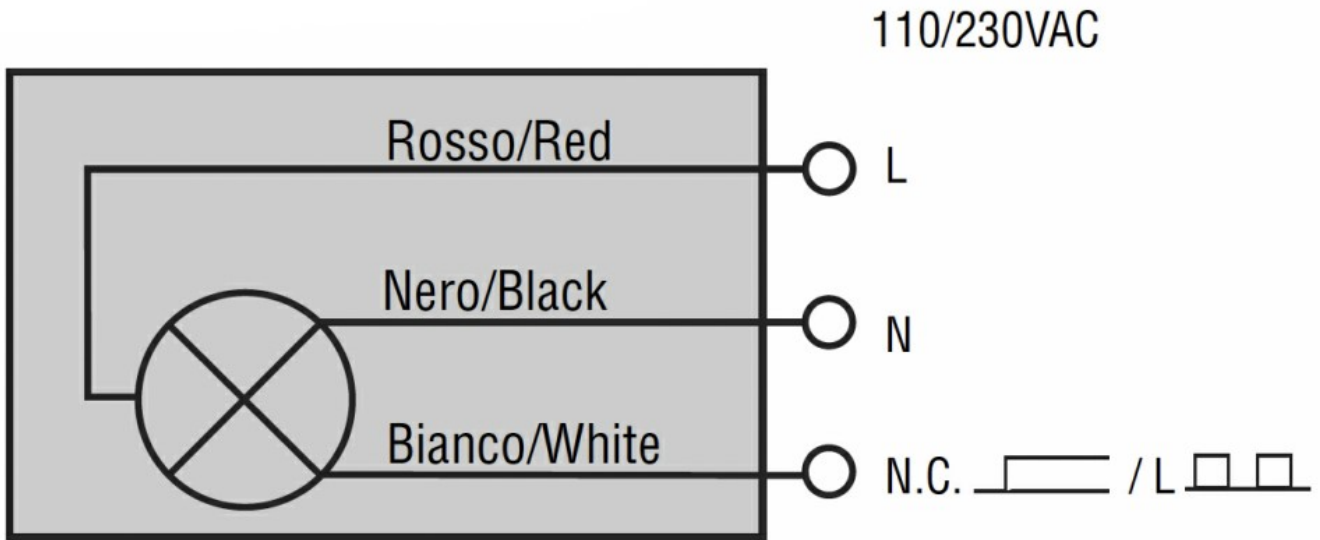
Storage temperature

min °C -40  
max °C +85

**Dimensions**



**Wiring diagrams**



### Certifications and compliance

#### Compliance

IEC/EN 60947-1  
IEC/EN 60947-5-1