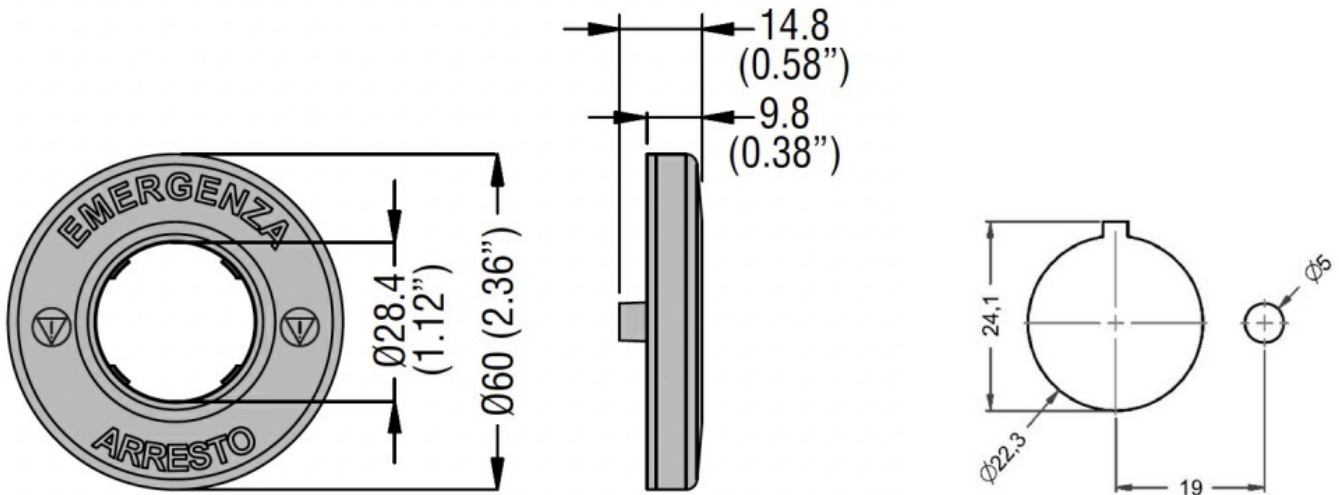


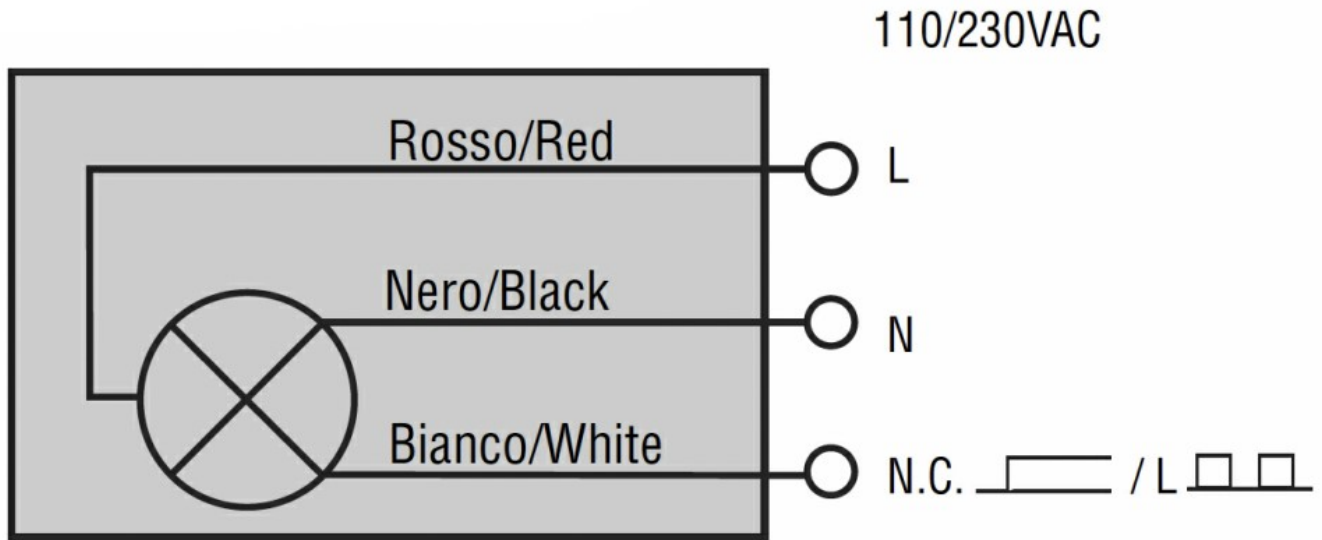


| | | | |
|-----------------------------------|-----------|-----------|-----|
| General characteristics | | | |
| Colour | Yellow | | |
| Electrical characteristics | | | |
| Supply voltage (AC) | V | 220...240 | |
| Mechanical features | | | |
| Operating position | allowable | Any | |
| Weight | g | 22 | |
| Ambient conditions | | | |
| Temperature | | | |
| Operating temperature | | min °C | -25 |
| | | max °C | +60 |
| Storage temperature | | min °C | -40 |
| | | max °C | +85 |

Dimensions



Wiring diagrams



Certifications and compliance

Compliance

IEC/EN 60947-1
IEC/EN 60947-5-1