



General characteristics

Colour Yellow

Electrical characteristics

Supply voltage (AC)	V	24
Supply voltage (DC)	V	24

Mechanical features

Operating position allowable Any

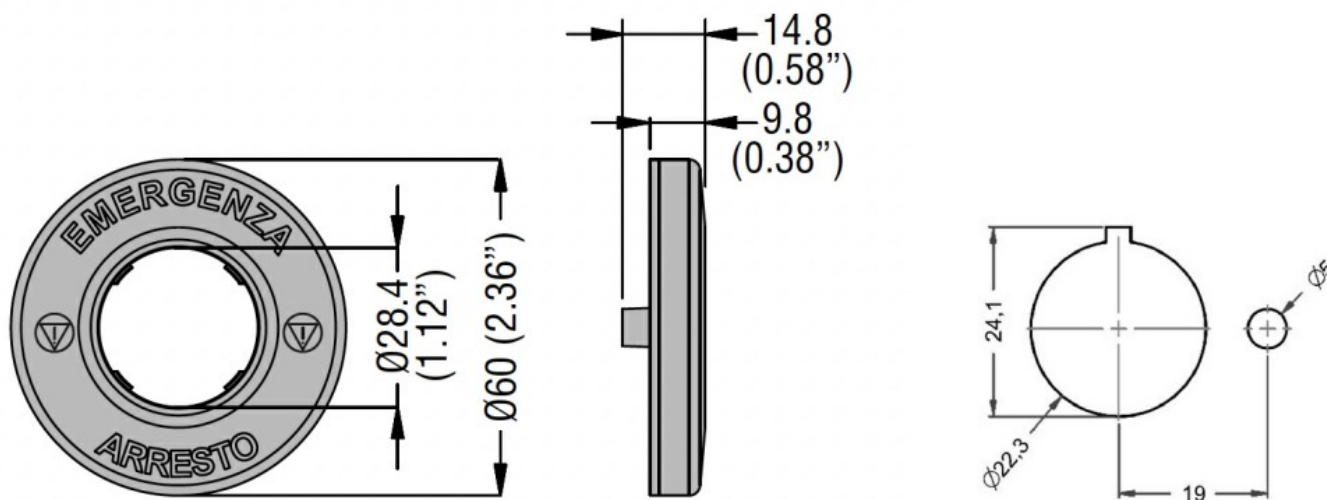
Weight g 22

Ambient conditions

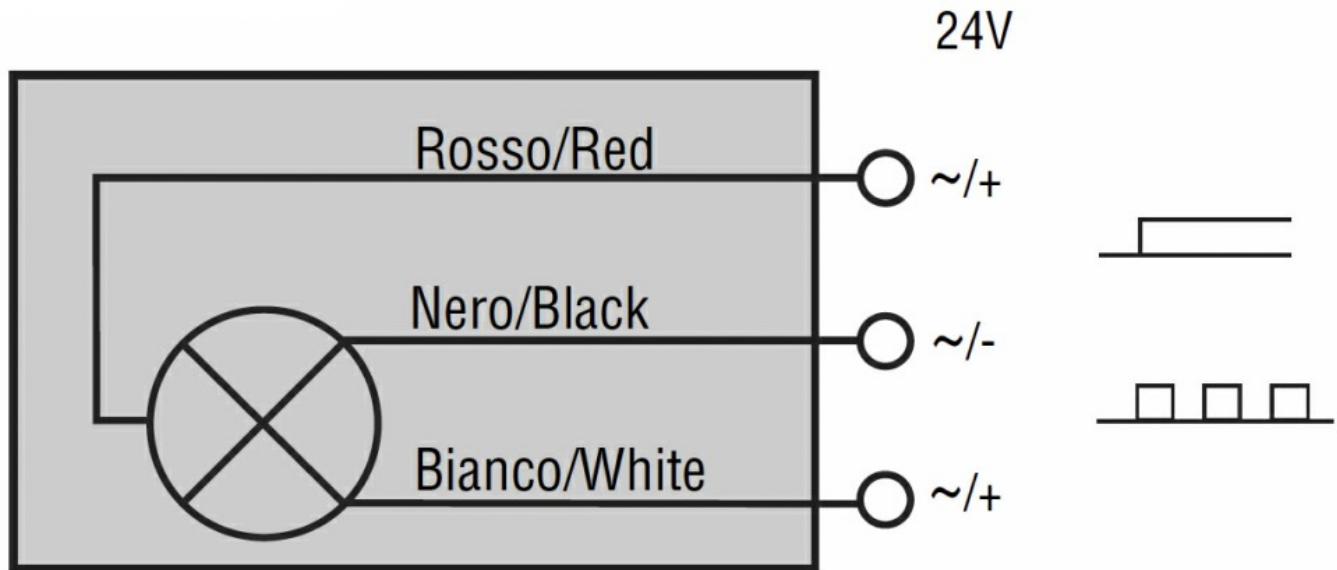
Temperature

Operating temperature		min	°C	-25
		max	°C	+60
<hr/>				
Storage temperature		min	°C	-40
		max	°C	+85

Dimensions



Wiring diagrams



Certifications and compliance

Compliance

CSA C22.2 n° 14

IEC/EN 60947-1

IEC/EN 60947-5-1

UL508

Certificates

cULus