

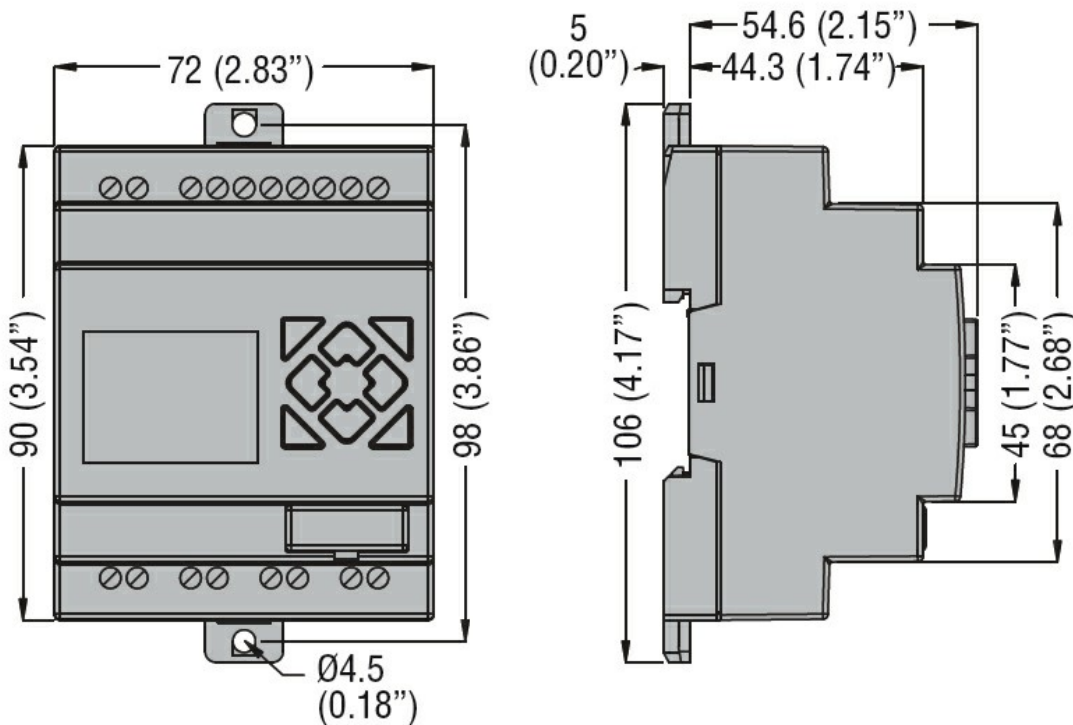


Power supply			
Rated auxil. supply voltage			100...240VAC
Operating voltage range			85...265VAC
Rated frequency	Hz		50/60
Operating frequency range	Hz		47...63
Average current consumption	mA		100
Power consumption Max	W		7.5
Digital inputs			
Number of digital input	Nr.		6
Rated voltage	V		100-240VAC (50/60Hz)
Input signals		State 0 (OFF) State 1 (ON)	<40VAC >79VAC
Response time		0 to 1 (OFF-ON) 1 to 0 (ON-OFF)	50/45ms (Ue=120VAC); 22/18ms (Ue=240VAC) 50/45ms (Ue= 120VAC); 90/85ms (Ue= 240VAC)
Digital outputs			
Number of digital output	Nr.		4
type			Relay
System resources			
Display			LCD display, 4 lines x 16 characters
Connections			
Terminals type			Screw
Tightening torque for terminals		max Max	Nm 0.6 lbft 0.4
Conductor section	AWG/Kcmil	min max	26 14
	IEC	min max	mm ² 0.14 mm ² 2.5
Ambient conditions			
Temperature	Operating temperature	min	°C -20

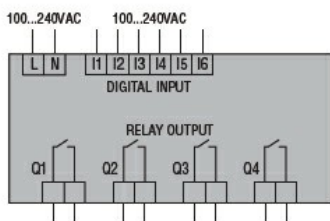
	max	°C	+55
Storage temperature	min	°C	-40
	max	°C	+70
		%	20...90% without condensation
Relative humidity			

Housing			
Mounting			35mm DIN rail or screw fixing (M4x20mm)
Degree of protection			IP20
Dimensions (W x H x D)	mm		72 x 106 x 59.6
Weight	g		242

Dimensions



Wiring diagrams



Certifications and compliance

Compliance	CSA C22.2 n° 142
	IEC/EN 61131-2
	UL508

Certificates	cULus
	EAC

ETIM classification

ETIM 8.0

EC001417 -
Logic module