



Power supply

Rated auxil. supply voltage		24VDC
Operating voltage range		20.4...28.8VDC
Average current consumption	mA	125
Power consumption Max	W	4.5

Digital inputs

Number of digital input	Nr.	6 + 2 digital/analog
Rated voltage	V	24VDC
Input signals	State 0 (OFF) State 1 (ON)	<5VDC >15VDC
Response time	0 to 1 (OFF-ON) 1 to 0 (ON-OFF)	4ms (0.5ms for high speed) 4ms (0.3ms for high speed)

Analog inputs

Number of analog input	Nr.	2 digital/analog
Analog input type		Voltage inputs
Inputs signal range	V	0...10
Resolution		0.01V
Bit of conversion	bit	10
Current consumption at	10VDC	mA <0.17mA
Input impedance		kΩ >40
Admissible overload	VDC	28
Sampling time	ms	5...20ms(LADDER), 2...10ms (FBD)
Maximum cable length	m / ft	≤30m/98ft (shielded wire)

Digital outputs

Number of digital output	Nr.	4
type		Transistor

System resources

Display		LCD display, 4 lines x 16 characters
---------	--	--

Connections

Terminals type		Screw
Tightening torque for terminals	max	Nm 0.6
	Max	lbft 0.4
Conductor section	AWG/Kcmil	min 26

IEC	max	14	
	min	mm ²	0.14
	max	mm ²	2.5

Ambient conditions

Temperature

Operating temperature

min	°C	-20
max	°C	+55

Storage temperature

min	°C	-40
max	°C	+70

Relative humidity

%	20...90% without condensation
---	-------------------------------

Housing

Mounting

35mm DIN rail or screw fixing (M4x20mm)

Degree of protection

IP20

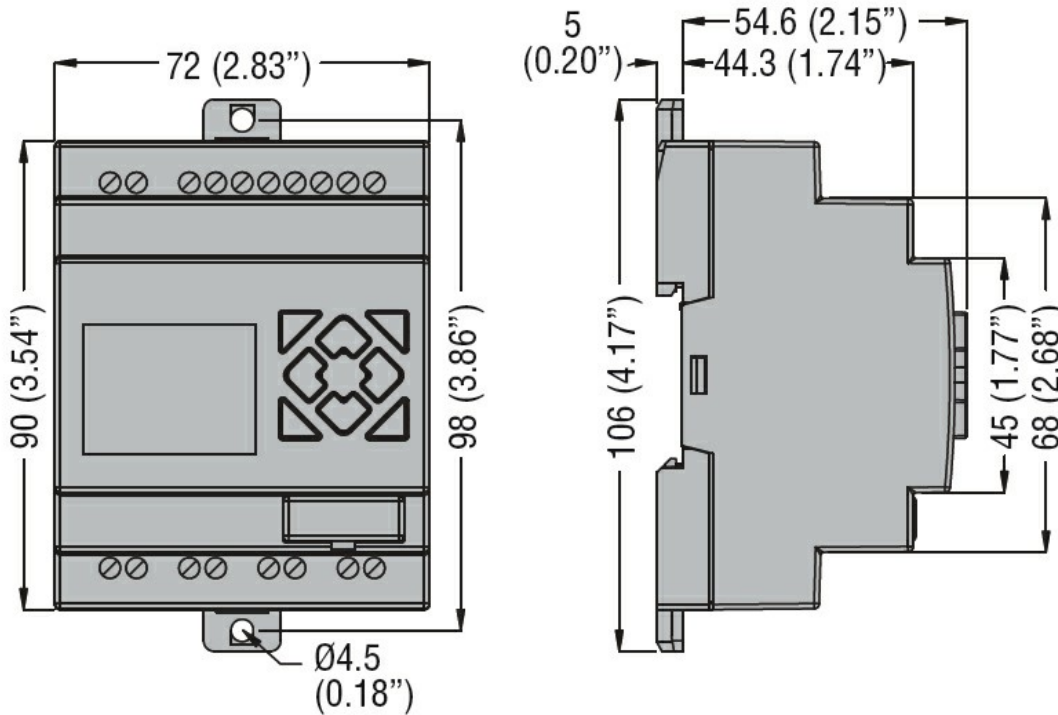
Dimensions (W x H x D)

mm 72 x 106 x 59.6

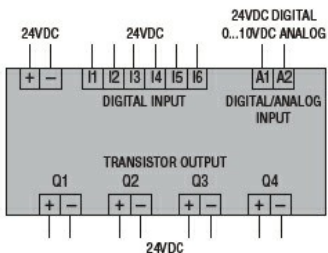
Weight

g 220

Dimensions



Wiring diagrams



Certifications and compliance

Compliance

CSA C22.2 n° 142

IEC/EN 61131-2

UL508

Certificates

cULus

EAC

ETIM classification

ETIM 8.0

EC001417 -
Logic module