



Power supply

Rated auxil. supply voltage	12VDC	
Operating voltage range	10.4... 14.4VDC	
Average current consumption	mA	265
Power consumption Max	W	5

Digital inputs

Number of digital input	Nr.	8 + 4 digital/analog
Rated voltage	V	12VDC
Input signals	State 0 (OFF)	<2.5VDC
	State 1 (ON)	>7.5VDC
Response time	0 to 1 (OFF-ON)	4ms (0.5ms for high speed)
	1 to 0 (ON-OFF)	4ms (0.3ms for high speed)

Analog inputs

Number of analog input	Nr.	4 digital/analog	
Analog input type	Voltage inputs		
Inputs signal range	V	0...10	
Resolution	0.01V		
Bit of conversion	bit	8	
Current consumption at	10VDC	mA	<0.17mA
Input impedance		kΩ	>40
Admissible overload		VDC	14
Sampling time		ms	5...20ms(LADDER), 2...10ms (FBD)
Maximum cable length		m / ft	≤30m/98ft (shielded wire)

Digital outputs

Number of digital output	Nr.	8
type	Relay	

System resources

Display	LCD display, 4 lines x 16 characters	
---------	--------------------------------------	--

Connections

Terminals type	Screw		
Tightening torque for terminals	max	Nm	0.6
	Max	lbft	0.4
Conductor section	AWG/Kcmil		
	min		26
	max		14

IEC

min mm² 0.14
max mm² 2.5

Ambient conditions

Temperature

Operating temperature

min °C -20
max °C +55

Storage temperature

min °C -40
max °C +70

Relative humidity

% 20...90% without condensation

Housing

Mounting

35mm DIN rail or screw fixing (M4x20mm)

Degree of protection

IP20

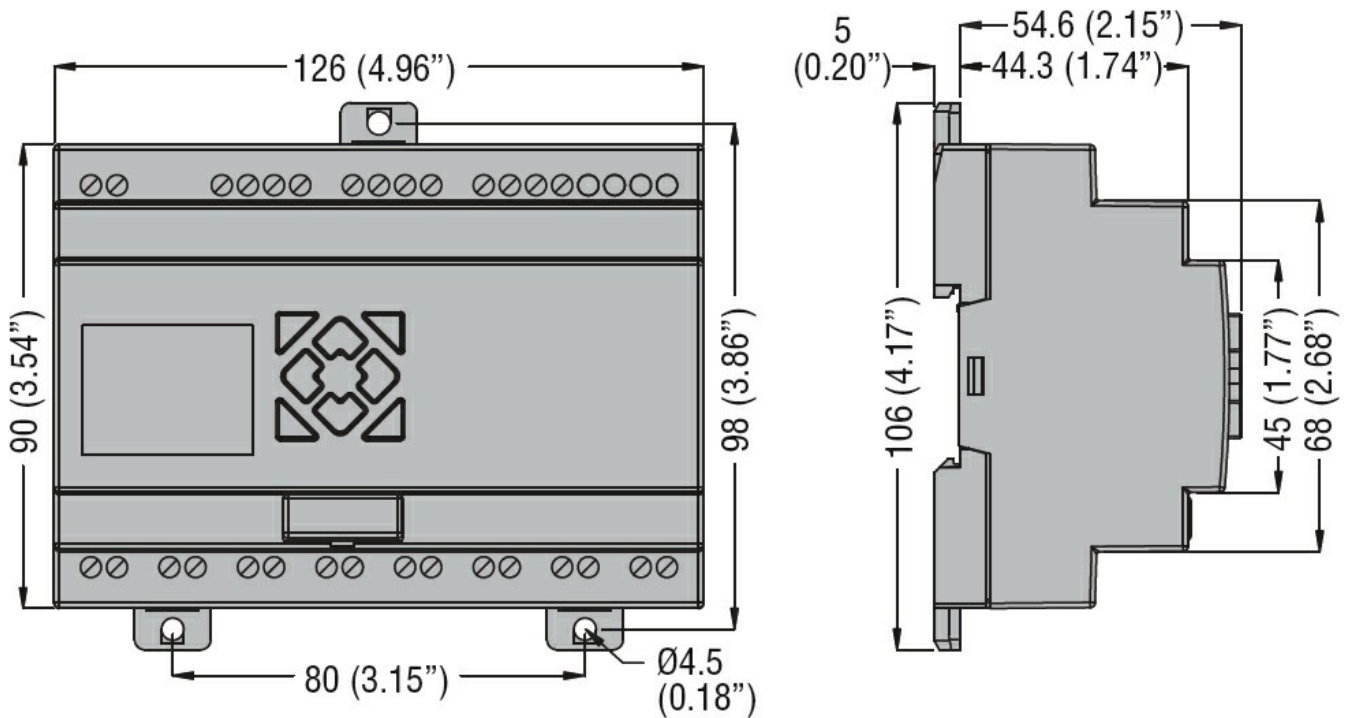
Dimensions (W x H x D)

mm 126 x 106 x 59.6

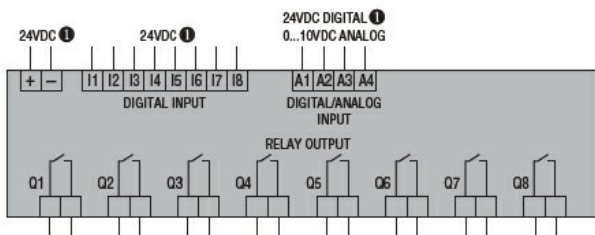
Weight

g 360

Dimensions



Wiring diagrams



① 12VDC for LRD20R D012.

Certifications and compliance

Compliance

CSA C22.2 n° 142

IEC/EN 61131-2
UL508

Certificates

cULus
EAC

ETIM classification

ETIM 8.0

EC001417 -
Logic module