



Power supply

Rated auxil. supply voltage	24VDC		
Operating voltage range	20.4...28.8VDC		
Average current consumption	mA	185	
Power consumption Max	W	5	

Digital inputs

Number of digital input	Nr.	8 + 4 digital/analog	
Rated voltage	V	24VDC	
Input signals	State 0 (OFF)	<5VDC	
	State 1 (ON)	>15VDC	
Response time	0 to 1 (OFF-ON)	4ms (0.5ms for high speed)	
	1 to 0 (ON-OFF)	4ms (0.3ms for high speed)	

Analog inputs

Number of analog input	Nr.	4 digital/analog	
Analog input type	Voltage inputs		
Inputs signal range	V	0...10	
Resolution	0.01V		
Bit of conversion	bit	8	
Current consumption at	10VDC	mA	<0.17mA
		kΩ	>40
Input impedance	VDC	28	
Admissible overload	ms	5...20ms(LADDER), 2...10ms (FBD)	
Sampling time	m / ft	≤30m/98ft (shielded wire)	
Maximum cable length			

Digital outputs

Number of digital output	Nr.	8	
type	Relay		

System resources

Display	LCD display, 4 lines x 16 characters		
---------	--------------------------------------	--	--

Communications

Type of communication port	RS485		
----------------------------	-------	--	--

Connections

Terminals type	Screw		
Tightening torque for terminals	max	Nm	0.6
	Max	lbft	0.4

Conductor section	AWG/Kcmil
-------------------	-----------

min	26
max	14

IEC

min	mm ²	0.14
max	mm ²	2.5

Ambient conditions

Temperature

Operating temperature

min	°C	-20
max	°C	+55

Storage temperature

min	°C	-40
max	°C	+70

Relative humidity

% 20...90% without condensation

Housing

Mounting

35mm DIN rail or screw fixing (M4x20mm)

Degree of protection

IP20

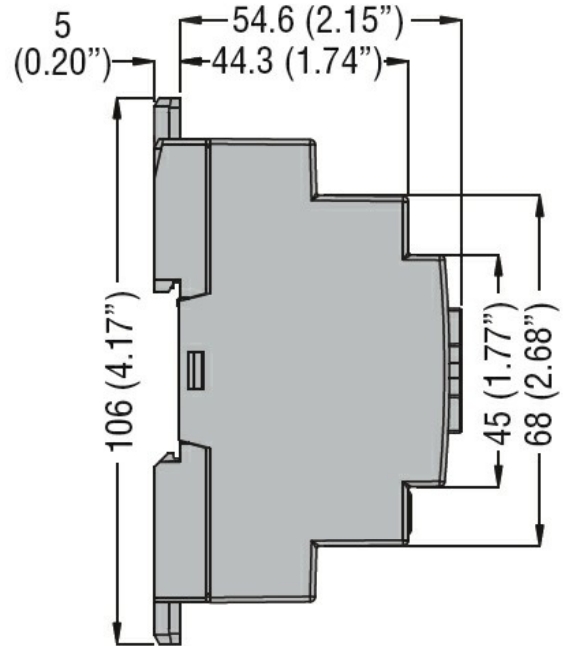
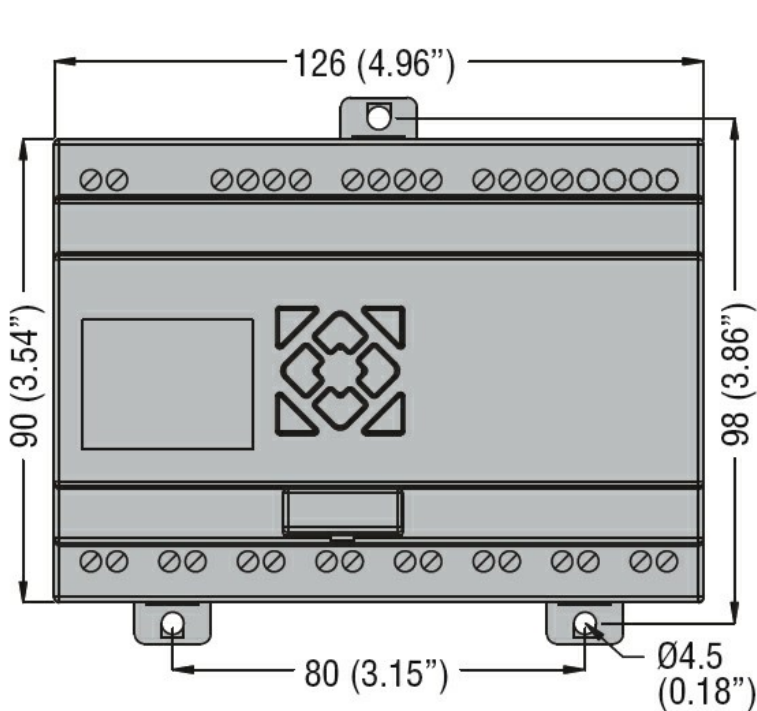
Dimensions (W x H x D)

mm 126 x 106 x 59.6

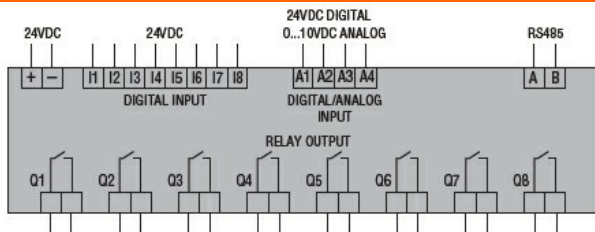
Weight

g 360

Dimensions



Wiring diagrams



Certifications and compliance

Compliance

CSA C22.2 n° 142

IEC/EN 61131-2

UL508

Certificates

cULus

EAC

ETIM classification

ETIM 8.0

EC001417 -
Logic module