



Power supply			
Rated auxil. supply voltage			100...240VAC
Operating voltage range			85...265VAC
Operating frequency range	Hz		47...63
Average current consumption	mA		100
Power consumption Max	W		7.5
Digital inputs			
Number of digital input	Nr.		6
Rated voltage	V		100-240VAC (50/60Hz)
Input signals		State 0 (OFF) State 1 (ON)	<40VAC >79VAC
Response time		0 to 1 (OFF-ON) 1 to 0 (ON-OFF)	50/45ms (Ue=120VAC); 22/18ms (Ue=240VAC) 50/45ms (Ue=120VAC); 90/85ms (Ue=240VAC)
Digital outputs			
Number of digital output	Nr.		4
type			Relay
System resources			
Display			LCD display, 4 lines x 16 characters
Connections			
Terminals type			Screw
Tightening torque for terminals		max Max	Nm 0.6 lbft 0.4
Conductor section	AWG/Kcmil	min max	26 14
	IEC	min max	mm ² 0.14 mm ² 2.5
Ambient conditions			
Temperature	Operating temperature	min max	°C -20 °C +55

Storage temperature

min °C -40
max °C +70

Relative humidity

% 20...90% without condensation

Housing

Mounting

35mm DIN rail or screw fixing (M4x20mm)

Degree of protection

IP20

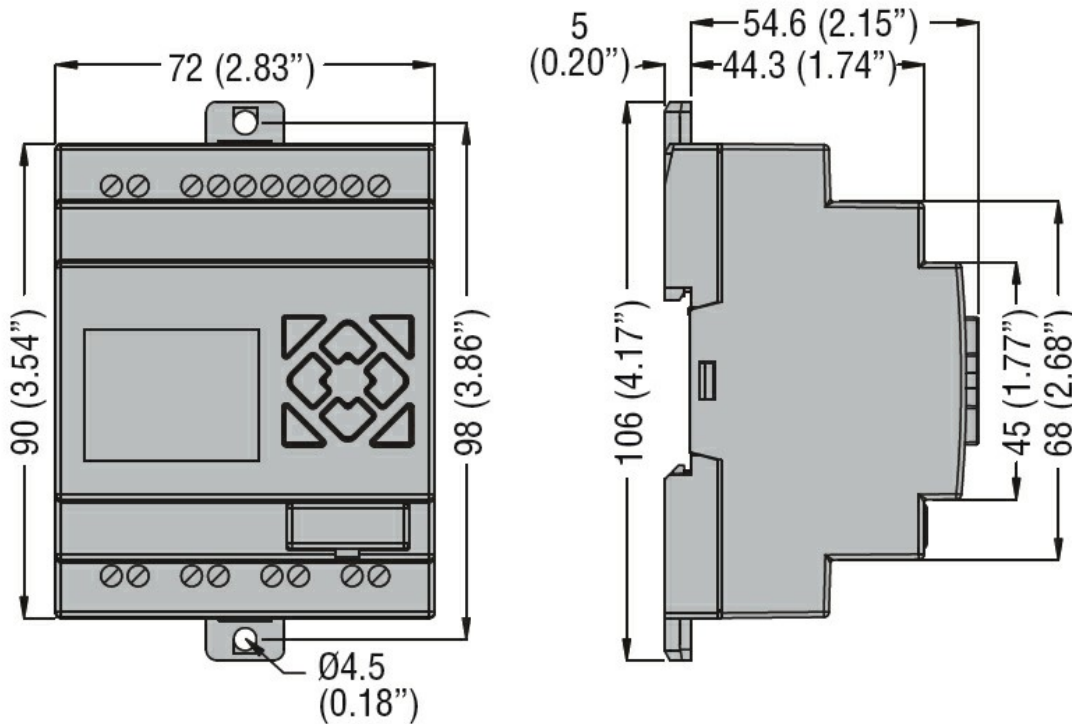
Dimensions (W x H x D)

mm 72 x 106 x 98

Weight

g 424

Dimensions



Certifications and compliance

Compliance

CSA C22.2 n° 142

IEC/EN 61131-2

UL508

Certificates

cULus

EAC

ETIM classification

ETIM 8.0

EC002581 - PLC device set