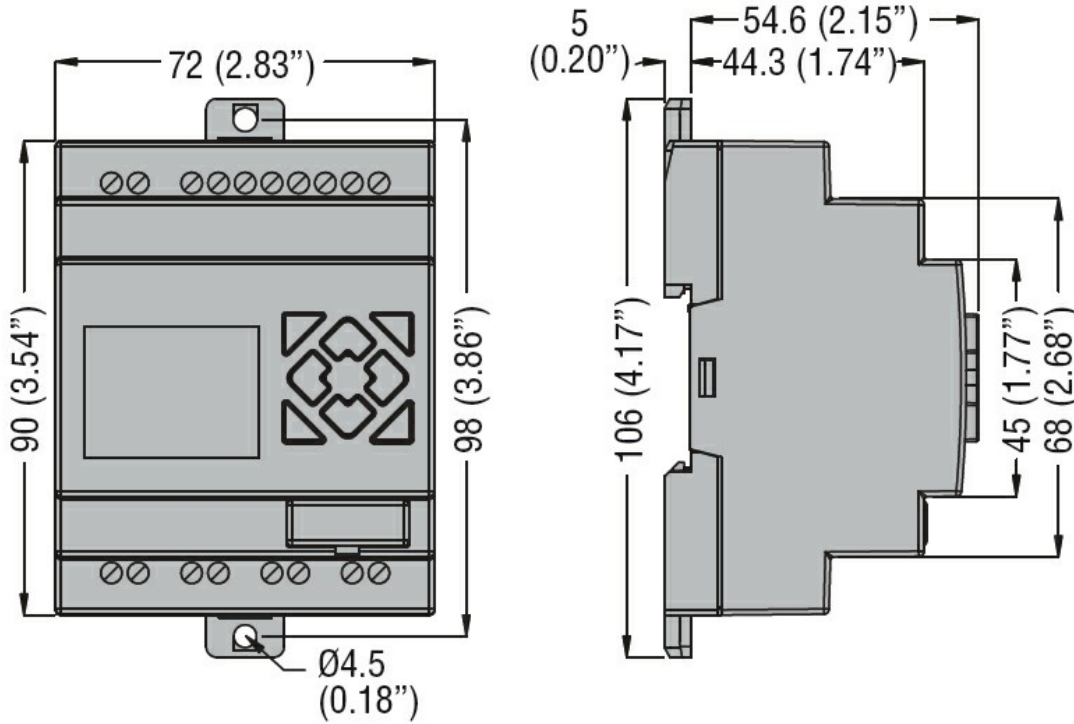




Power supply			
Rated auxil. supply voltage			24VAC
Operating voltage range			20.4...28.8VAC
Operating frequency range	Hz		47...63
Average current consumption	mA		290
Power consumption Max	W		7
Digital inputs			
Number of digital input	Nr.		8
Rated voltage	V		24VAC (50/60Hz)
Input signals		State 0 (OFF) State 1 (ON)	<6VAC >14VAC
Response time		0 to 1 (OFF-ON) 1 to 0 (ON-OFF)	90ms 90ms
Digital outputs			
Number of digital output	Nr.		4
type			Relay
System resources			
Display			LCD display, 4 lines x 16 characters
Connections			
Terminals type			Screw
Tightening torque for terminals		max Max	Nm 0.6 lbft 0.4
Conductor section	AWG/Kcmil	min max	26 14
	IEC	min max	mm ² 0.14 mm ² 2.5
Ambient conditions			
Temperature	Operating temperature	min max	°C -20 °C +55
	Storage temperature	min max	°C -40 °C +70
Relative humidity			% 20...90% without condensation
Housing			

Mounting		35mm DIN rail or screw fixing (M4x20mm)
Degree of protection		IP20
Dimensions (W x H x D)	mm	72 x 106 x 59.6
Weight	g	424

Dimensions



Certifications and compliance

Compliance

CSA C22.2 n° 142
IEC/EN 61131-2
UL508

Certificates

cULus
EAC

ETIM classification

ETIM 8.0

EC002581 - PLC device set