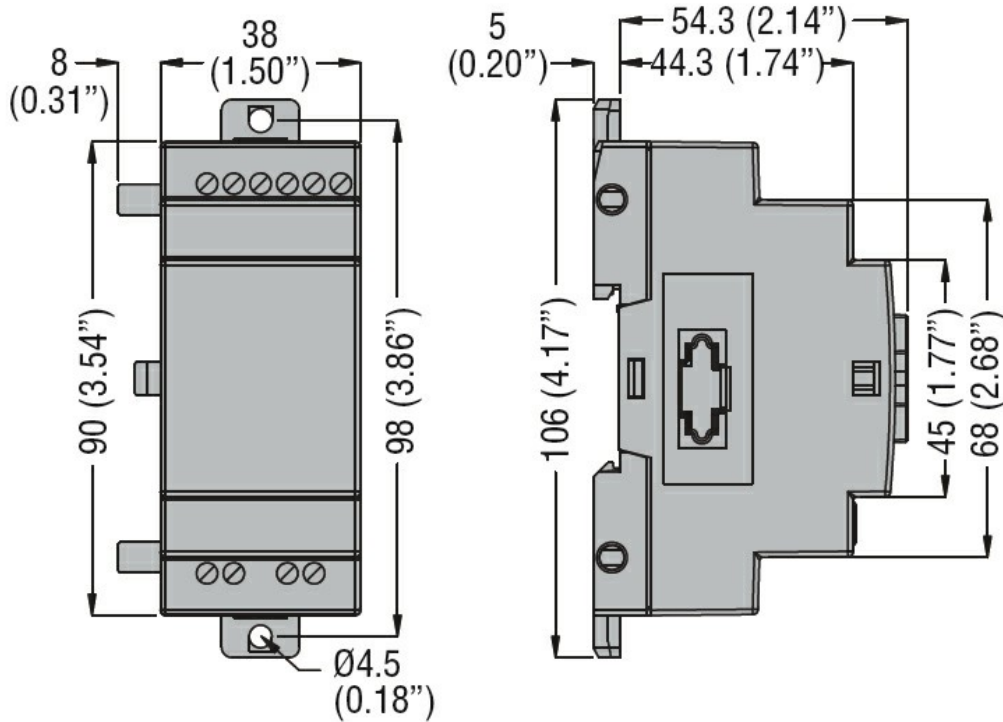
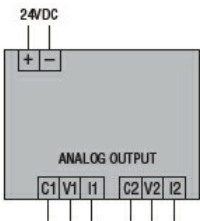




Power supply			
Rated auxil. supply voltage			24VDC
Operating voltage range			20.4...28.8VDC
Avarage current consumption		mA	70
Analog outputs			
Number of analog output		Nr.	2
Analog output type			Configurable voltage or current outputs
Resolution			Voltage outputs: 10mV Current outputs: 40µA
Accuracy		%	±2.5%
Connections			
Terminals type			Screw
Ambient conditions			
Temperature			
	Operating temperature	min	°C -20
		max	°C +55
	Storage temperature	min	°C -40
		max	°C +70
Relative humidity		%	<90% (non condensing)
Housing			
Mounting			35mm DIN rail or screw fixing (M4x15mm)
Degree of protection			IP20
Dimensions (W x H x D)		mm	38 x 106 x 59.3
Weight		g	160
Dimensions			



Wiring diagrams



Certifications and compliance

Compliance

CSA C22.2 n° 142
IEC/EN 61131-2
UL508

Certificates

cULus
EAC

ETIM classification

ETIM 8.0

EC001420 - PLC
analogue I/O-
module