



Micro PLC expansion module, 2 analog outputs 0...10VDC/0...20mA  
LRE02AD024  
24VDC  
Nr. 2 analog

Product designation

Product type designation

Auxiliary supply voltage

Number of outputs

Nr.

2 analog

Power supply

Rated auxil. supply voltage

24VDC

Operating voltage range

20.4...28.8VDC

Average current consumption

mA

70

Analog outputs

Number of analog output

Nr.

2

Analog output type

Configurable voltage or current outputs

Resolution

Voltage outputs: 10mV  
Current outputs: 40µA

Accuracy

%

±2.5%

Connections

Terminals type

Screw

Ambient conditions

Temperature

Operating temperature

min

°C

-20

max

°C

+55

Storage temperature

min

°C

-40

max

°C

+70

Relative humidity

%

<90% (non condensing)

Housing

Mounting

35mm DIN rail or screw fixing (M4x15mm)

Degree of protection

IP20

Dimensions (W x H x D)

mm

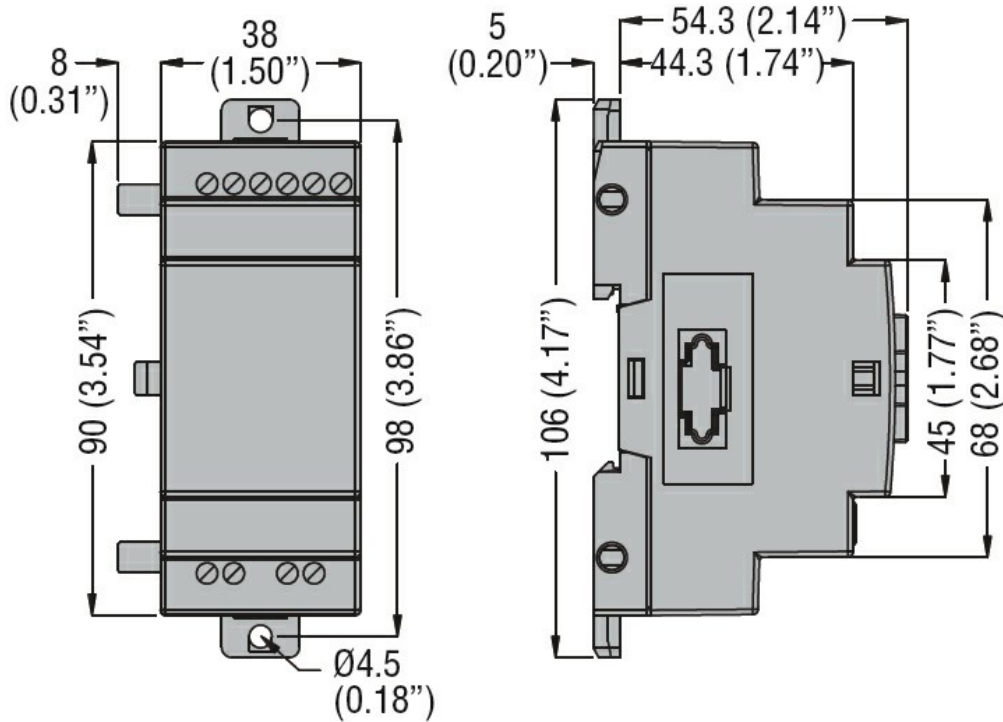
38 x 106 x 59.3

Weight

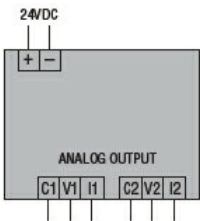
g

160

Dimensions



### Wiring diagrams



### Certifications and compliance

#### Compliance

CSA C22.2 n° 142  
IEC/EN 61131-2  
UL508

#### Certificates

cULus  
EAC

### ETIM classification

ETIM 8.0

EC001420 - PLC  
analogue I/O-  
module