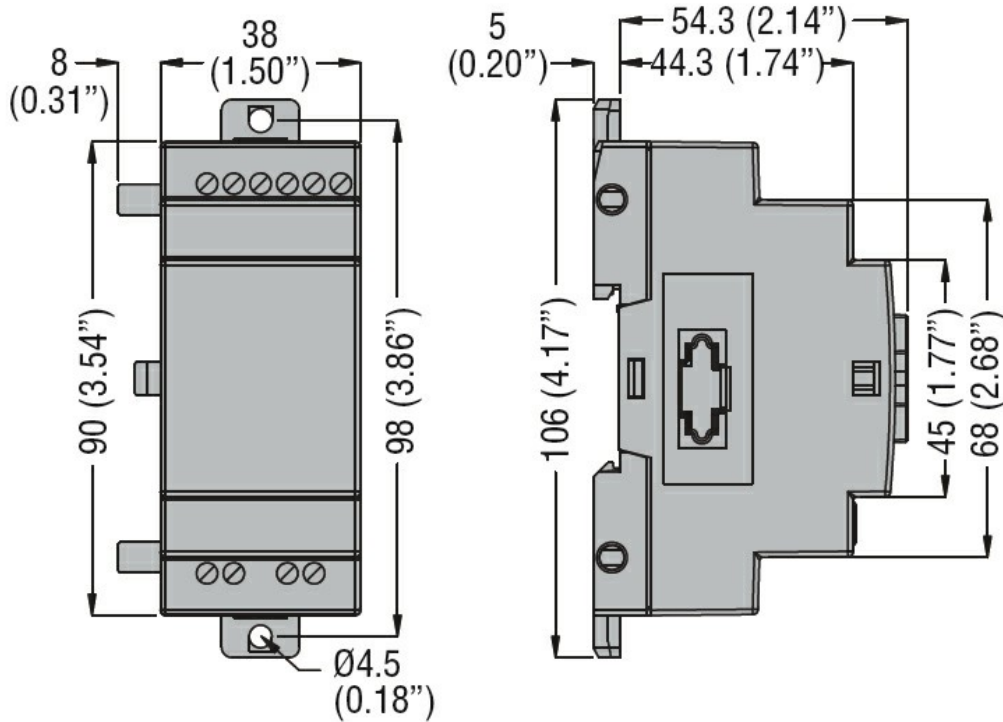
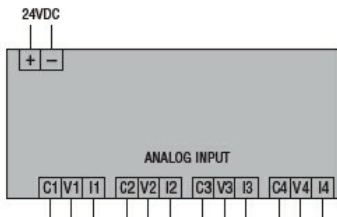




Power supply			
Rated auxil. supply voltage			24VDC
Operating voltage range			20.4...28.8VDC
Average current consumption	mA		70
Analog inputs			
Number of analog input	Nr.		4
Analog input type			Configurable voltage or current inputs
Inputs signal range	V		0...10VDC 0/4...20mA
Resolution			Voltage inputs: 10mV Current inputs: 40µA
Connections			
Terminals type			Screw
Ambient conditions			
Temperature			
Operating temperature			
	min	°C	-20
	max	°C	+55
Storage temperature			
	min	°C	-40
	max	°C	+70
Relative humidity		%	<90% (non condensing)
Housing			
Mounting			35mm DIN rail or screw fixing (M4x15mm)
Degree of protection			IP20
Dimensions (W x H x D)	mm		38 x 106 x 59.3
Weight	g		160
Dimensions			



### Wiring diagrams



### Certifications and compliance

#### Compliance

CSA C22.2 n° 142

IEC/EN 61131-2

UL508

#### Certificates

cULus

EAC

### ETIM classification

ETIM 8.0

EC001420 - PLC  
analogue I/O-  
module