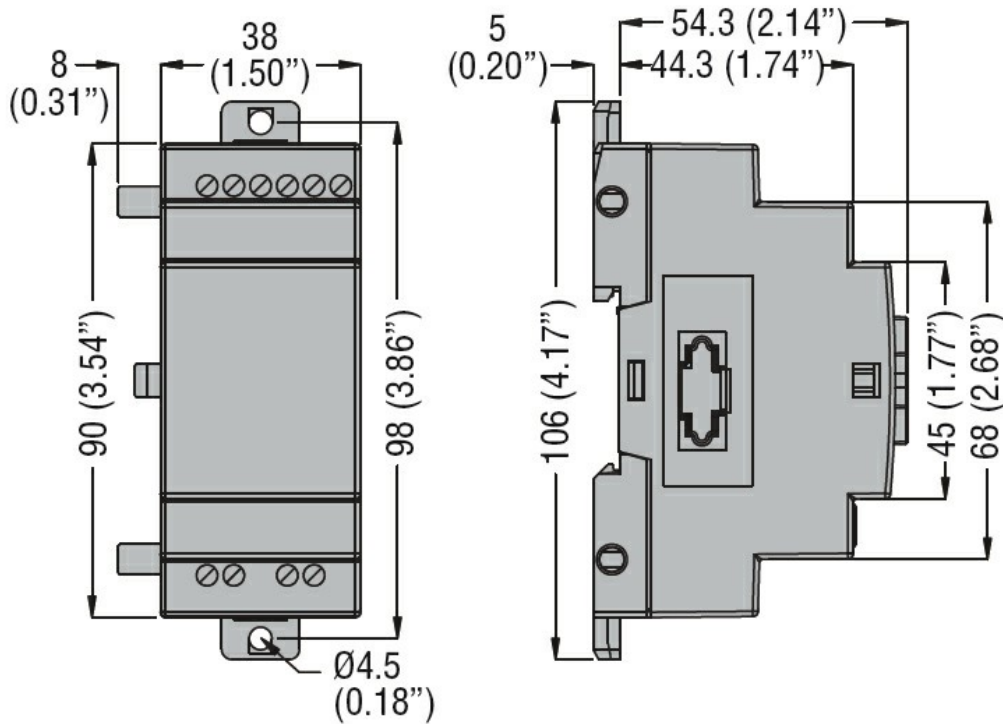
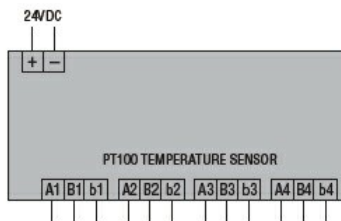




Power supply			
Rated auxil. supply voltage			24VDC
Operating voltage range			20.4...28.8VDC
Average current consumption		mA	70
Analog inputs			
Number of analog input		Nr.	4
Analog input type			PT100 temperature sensor
Inputs signal range		V	-100...+600°C
Resolution			0.1°C
Analog outputs			
Number of analog output		Nr.	4
Connections			
Terminals type			Screw
Ambient conditions			
Temperature			
Operating temperature		min	°C -20
		max	°C +55
Storage temperature		min	°C -40
		max	°C +70
Relative humidity		%	<90% (non condensing)
Housing			
Mounting			35mm DIN rail or screw fixing (M4x15mm)
Degree of protection			IP20
Dimensions (W x H x D)		mm	38 x 106 x 59.3
Weight		g	160
Dimensions			



Wiring diagrams



Certifications and compliance

Compliance

CSA C22.2 n° 142

IEC/EN 61131-2

UL508

Certificates

cULus

EAC

ETIM classification

ETIM 8.0

EC001420 - PLC
analogue I/O-
module