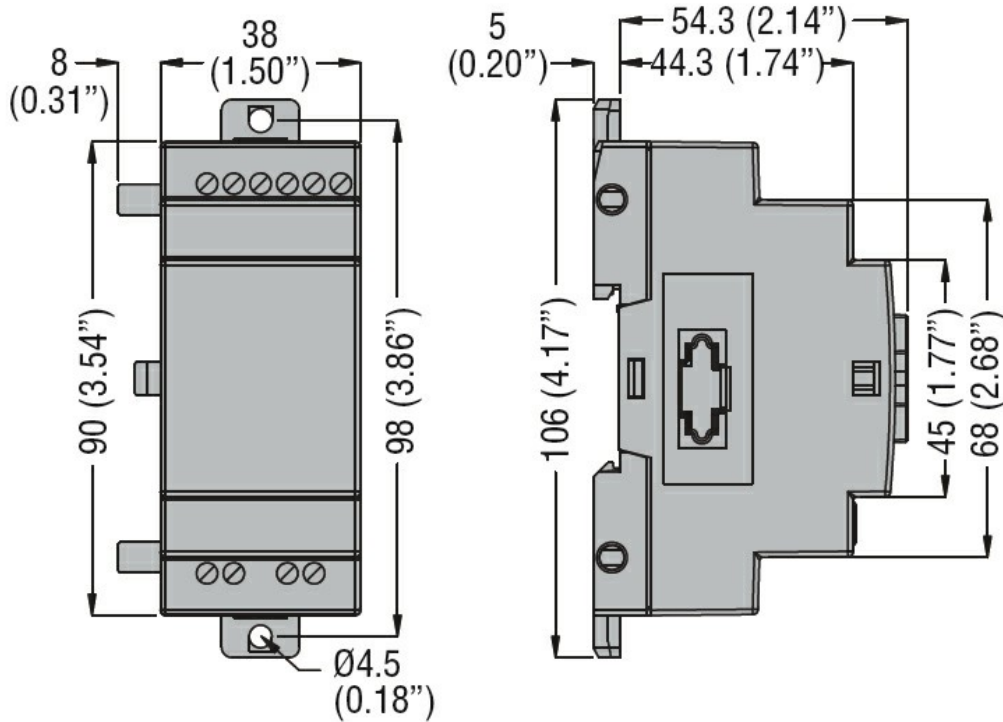
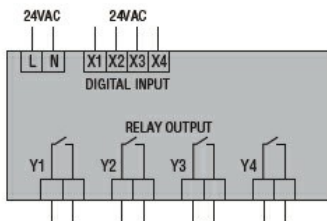




Power supply			
Rated auxil. supply voltage			24VAC
Operating voltage range			20.4...28.8VAC
Operating frequency range	Hz		47...63
Digital inputs			
Number of digital input	Nr.		4
Rated voltage	V		24VAC
Input signals		State 0 (OFF) State 1 (ON)	<6VAC >14VAC
Digital outputs			
Number of digital output	Nr.		4
type			Relay
Connections			
Terminals type			Screw
Ambient conditions			
Temperature			
	Operating temperature		
		min °C	-20
		max °C	+55
	Storage temperature		
		min °C	-40
		max °C	+70
Relative humidity		%	<90% (non condensing)
Housing			
Mounting			35mm DIN rail or screw fixing (M4x15mm)
Degree of protection			IP20
Dimensions (W x H x D)	mm		38 x 106 x 59.3
Weight	g		180
Dimensions			



### Wiring diagrams



### Certifications and compliance

#### Compliance

CSA C22.2 n° 142

IEC/EN 61131-2

UL508

#### Certificates

cULus

EAC

### ETIM classification

ETIM 8.0

EC001419 - PLC  
digital I/O-module