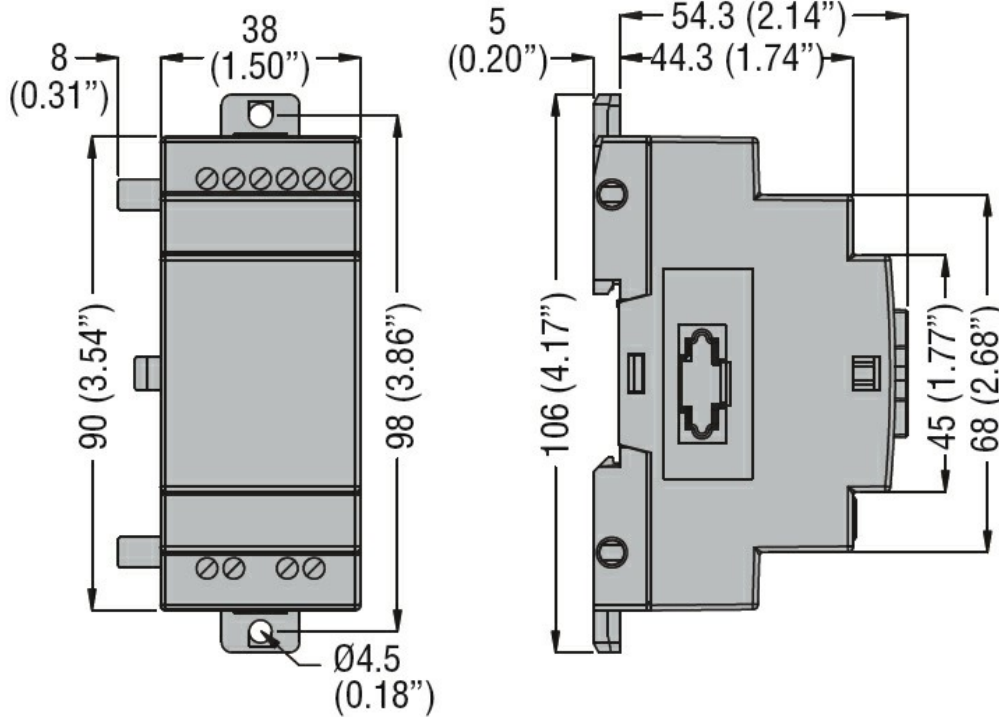
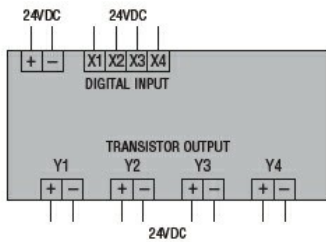




Power supply			
Rated auxil. supply voltage			24VDC
Operating voltage range			20.4...28.8VDC
Average current consumption	mA		70
Digital inputs			
Number of digital input	Nr.		4
Rated voltage	V		24VDC
Input signals		State 0 (OFF) State 1 (ON)	<5VDC >15VDC
Digital outputs			
Number of digital output	Nr.		4
type			Transistor
Connections			
Terminals type			Screw
Ambient conditions			
Temperature			
	Operating temperature		
		min °C	-20
		max °C	+55
	Storage temperature		
		min °C	-40
		max °C	+70
Relative humidity		%	<90% (non condensing)
Housing			
Mounting			35mm DIN rail or screw fixing (M4x15mm)
Degree of protection			IP20
Dimensions (W x H x D)	mm		38 x 106 x 59.3
Weight	g		151
Dimensions			



Wiring diagrams



Certifications and compliance

Compliance

CSA C22.2 n° 142
IEC/EN 61131-2
UL508

Certificates

cULus
EAC

ETIM classification

ETIM 8.0

EC001419 - PLC
digital I/O-module