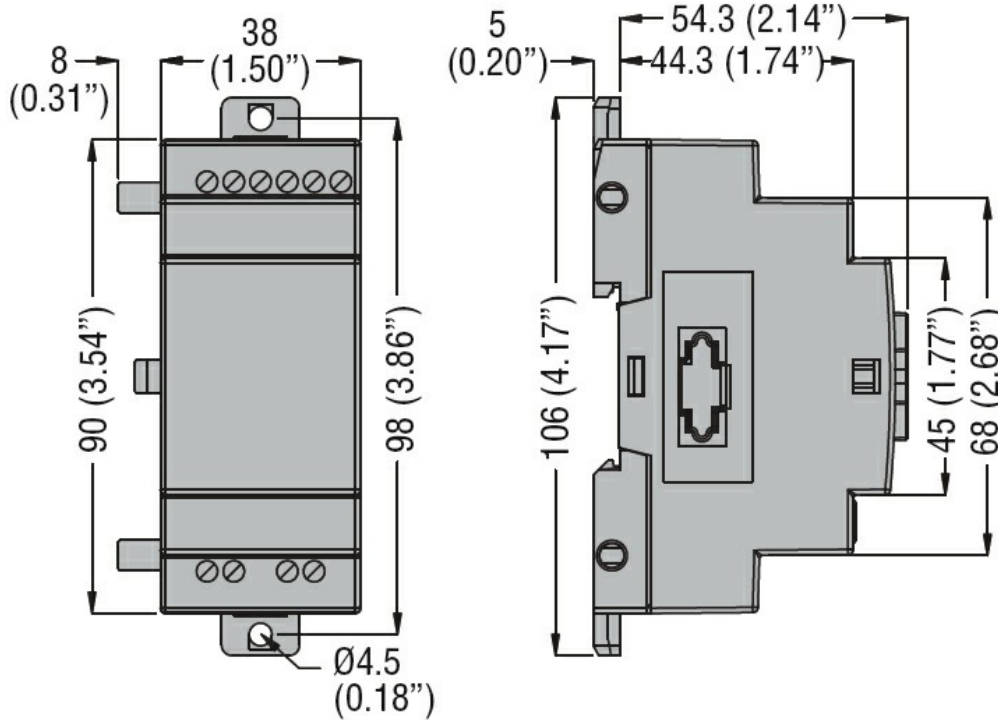
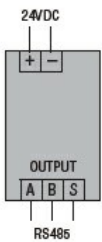




Power supply			
Rated auxil. supply voltage			24VDC
Operating voltage range			20.4...28.8VDC
Average current consumption	mA		70
Communications			
Baud rate	bps		4800... 38400bps
Termination resistance			Integrated 120Ω
Connections			
Terminals type			Screw
Tightening torque for terminals			
	max	Nm	0.6
	Max	lbft	5.4
Conductor section			
	AWG/Kcmil		
		min	26
		max	16
	IEC		
		min	mm <sup>2</sup> 0.14
		max	mm <sup>2</sup> 1.5
Ambient conditions			
Temperature			
	Operating temperature		
		min	°C -20
		max	°C +55
	Storage temperature		
		min	°C -40
		max	°C +70
Relative humidity		%	<90% (non condensing)
Housing			
Mounting			35mm DIN rail or screw fixing (M4x15mm)
Degree of protection			IP20
Dimensions (W x H x D)	mm		38 x 106 x 59.3
Weight	g		134
Dimensions			



### Wiring diagrams



### Certifications and compliance

#### Compliance

CSA C22.2 n° 142  
 IEC/EN 61131-2  
 UL508

#### Certificates

cULus  
 EAC

### ETIM classification

ETIM 8.0

EC001423 - PLC  
 communication  
 module