



Power supply			
Rated auxil. supply voltage			12/24VDC
Operating voltage range			10.0...28.8VDC
Average current consumption		mA	300
Digital inputs			
Number of digital input		Nr.	6 + 2 digital/analog
Rated voltage		V	12/24VDC
Input signals		State 0 (OFF)	<5VDC
		State 1 (ON)	>10VDC
Response time		0 to 1 (OFF-ON)	5ms (0.5ms for high speed)
		1 to 0 (ON-OFF)	3ms (0.3ms for high speed)
Analog inputs			
Number of analog input		Nr.	2 digital/analog
Analog input type			Voltage inputs
Inputs signal range		V	0...10
Resolution			0.01V
Bit of conversion		bit	12
Current consumption at			
		10VDC	mA
Input impedance		kΩ	>40
Admissible overload		VDC	28
Maximum cable length		m / ft	≤30m/98ft (shielded wire)
Digital outputs			
Number of digital output		Nr.	4
type			Relay
System resources			
Display			LCD display, 4 lines x 16 characters
Real Time Clock			Yes
Communications			
Type of communication port			Ethernet
Connections			
Terminals type			Screw
Tightening torque for terminals		max	Nm 0.8
	Conductor section		
		AWG/Kcmil	min
		max	14

IEC

min	mm <sup>2</sup>	0.14
max	mm <sup>2</sup>	2.5

**Ambient conditions**

Temperature

Operating temperature

min	°C	-20
max	°C	50

Storage temperature

min	°C	-40
max	°C	+70

Relative humidity

%	20...90% without condensation
---	-------------------------------

**Housing**

Mounting

35mm DIN rail or screw fixing (M4x20mm)

Degree of protection

IP20

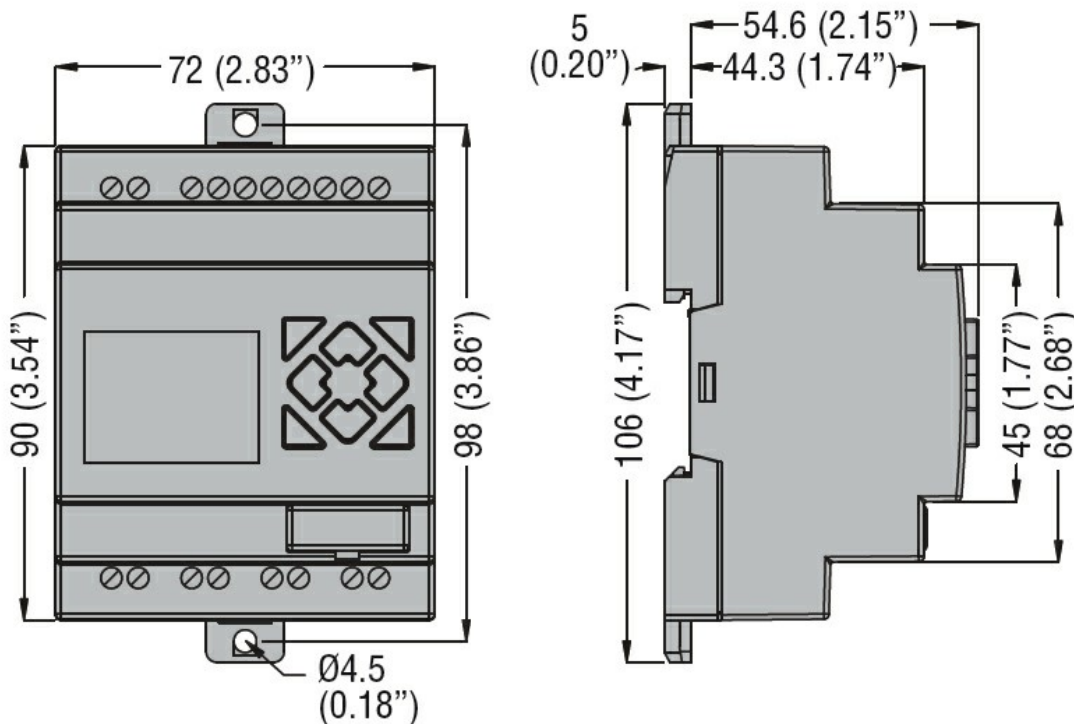
Dimensions (W x H x D)

mm 72 x 106 x 59.6

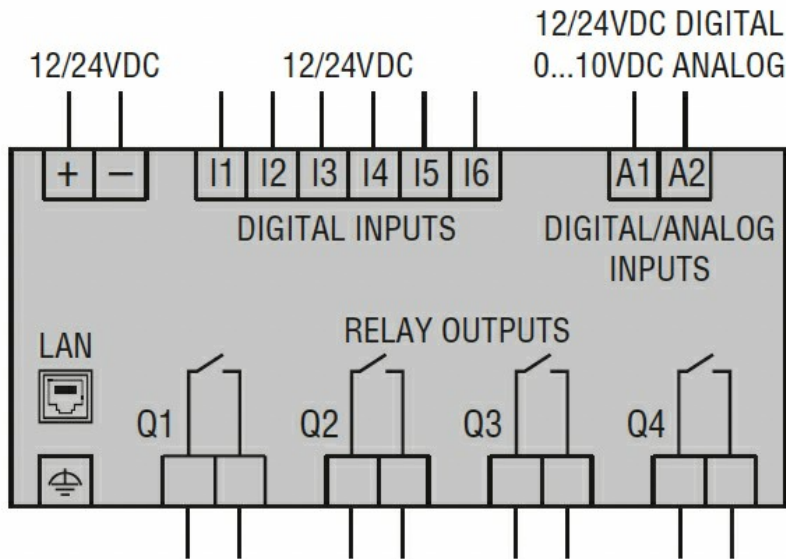
Weight

g 240

**Dimensions**



**Wiring diagrams**



### Certifications and compliance

#### Compliance

CSA C22.2 No. 61010-1  
CSA C22.2 No. 61010-2-201:18  
IEC/EN/BS 61131-2  
UL 61010-1  
UL 61010-2-201

#### Certificates

cULus

### ETIM classification

ETIM 8.0

EC001417 -  
Logic module