



Power supply			
Rated auxil. supply voltage			12/24VDC
Operating voltage range			10.0...28.8VDC
Average current consumption		mA	300
Digital inputs			
Number of digital input		Nr.	6 + 2 digital/analog
Rated voltage		V	12/24VDC
Input signals		State 0 (OFF)	<5VDC
		State 1 (ON)	>10VDC
Response time		0 to 1 (OFF-ON)	5ms (0.5ms for high speed)
		1 to 0 (ON-OFF)	3ms (0.3ms for high speed)
Analog inputs			
Number of analog input		Nr.	2 digital/analog
Analog input type			Voltage inputs
Inputs signal range		V	0...10
Resolution			0.01V
Bit of conversion		bit	12
Current consumption at		10VDC	mA <0.17mA
			kΩ >40
Input impedance		kΩ	>40
Admissible overload		VDC	28
Maximum cable length		m / ft	≤30m/98ft (shielded wire)
Digital outputs			
Number of digital output		Nr.	4
type			Relay
System resources			
Display			No
Real Time Clock			Yes
Communications			
Type of communication port			Ethernet
Connections			
Terminals type			Screw
Tightening torque for terminals		max	Nm 0.8
	Conductor section	AWG/Kcmil	min
max			14
	IEC		

min	mm ²	0.14
max	mm ²	2.5

Ambient conditions

Temperature

Operating temperature

min	°C	-20
max	°C	50

Storage temperature

min	°C	-40
max	°C	+70

Relative humidity

%	20...90% without condensation
---	-------------------------------

Housing

Mounting

35mm DIN rail or screw fixing (M4x20mm)

Degree of protection

IP20

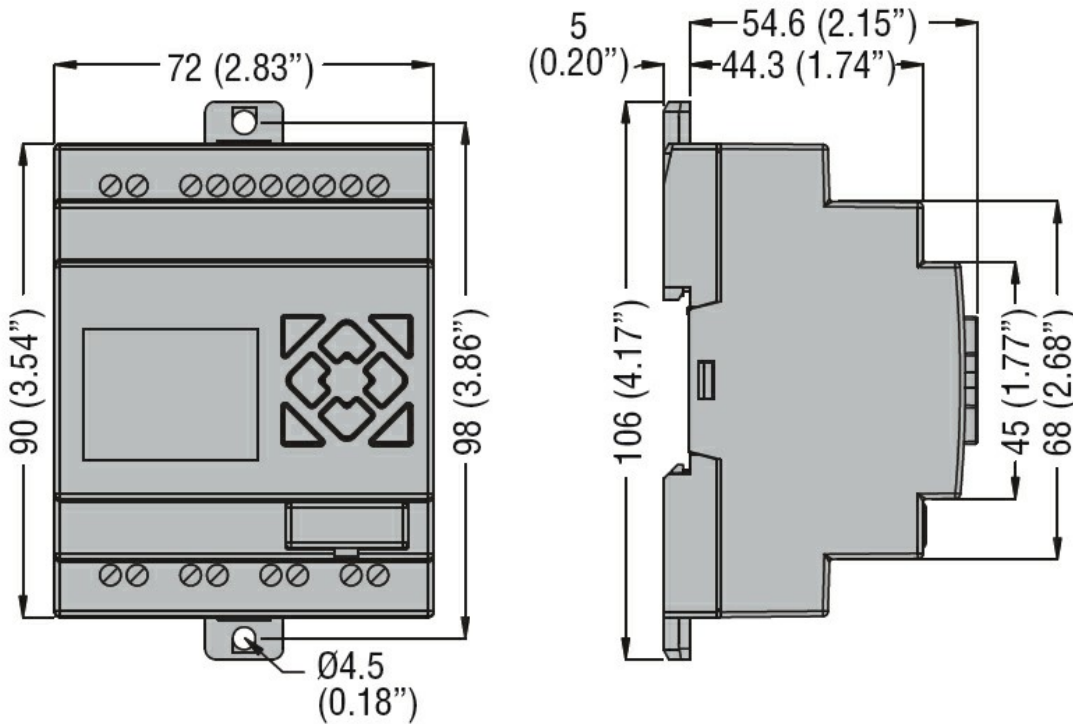
Dimensions (W x H x D)

mm 72 x 106 x 59.6

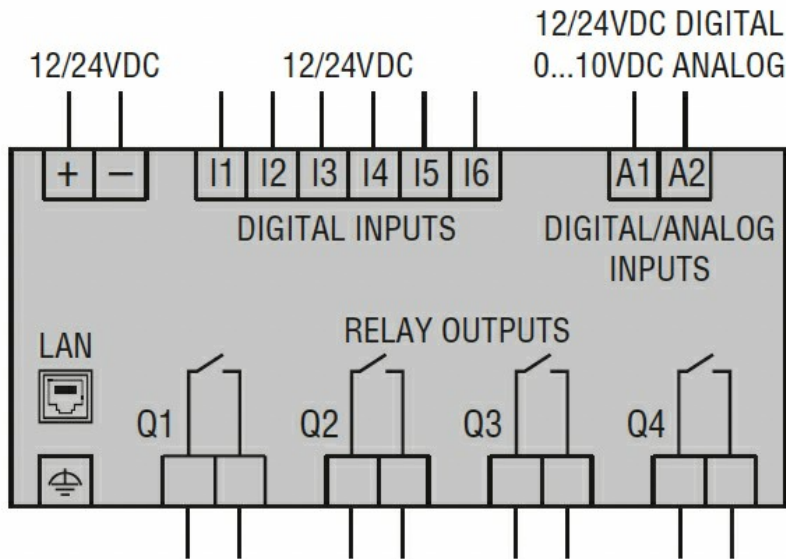
Weight

g 240

Dimensions



Wiring diagrams



Certifications and compliance

Compliance

CSA C22.2 No. 61010-1

CSA C22.2 No. 61010-2-201:18

IEC/EN/BS 61131-2

UL 61010-1

UL 61010-2-201

Certificates

cULus

ETIM classification

ETIM 8.0

EC001417 -
Logic module